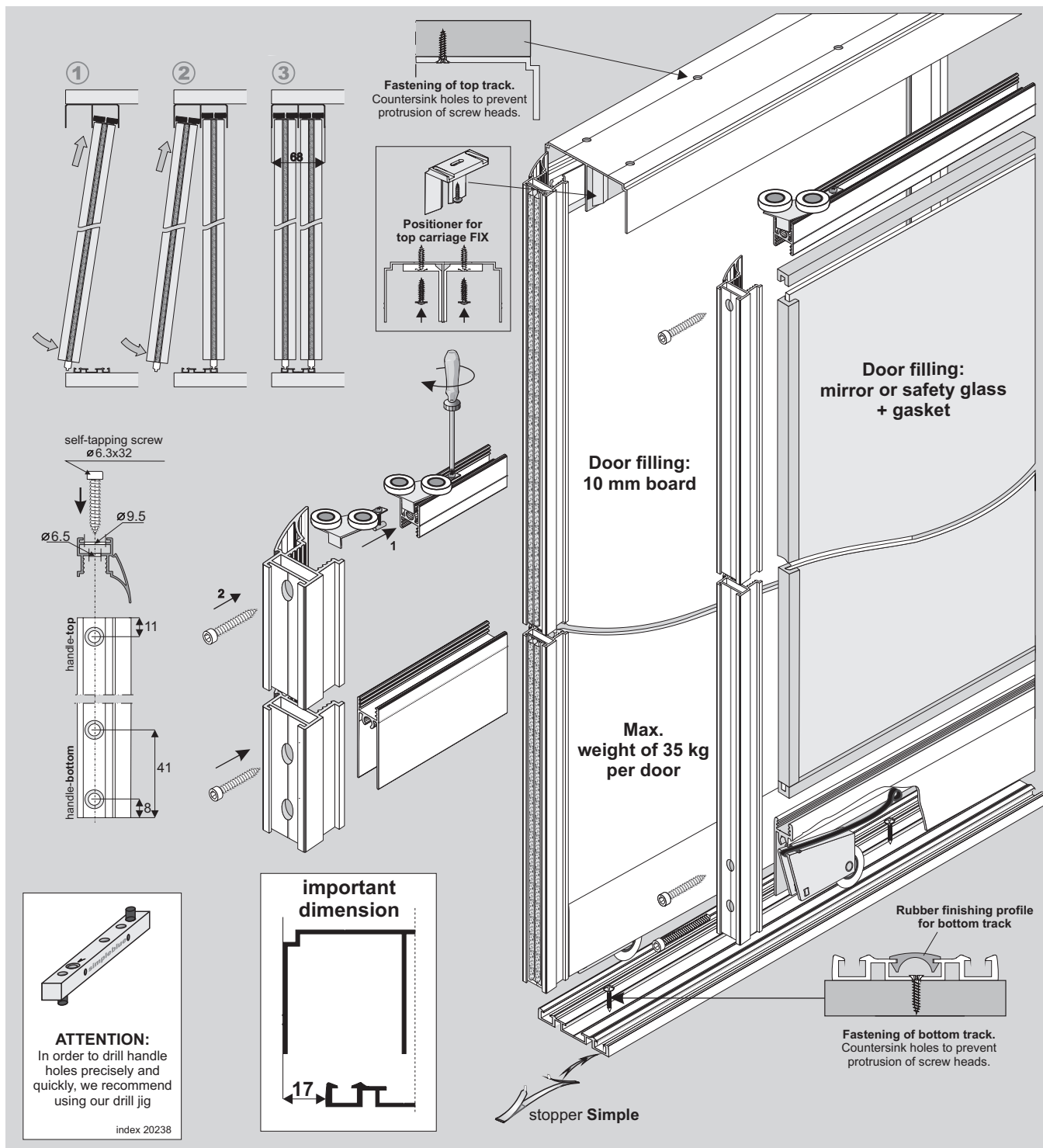


## Sliding door systems

<b>simple</b>	<b>10 Frame</b>	Assembly instructions - FALA ..... 2
		Assembly instructions - POLO ..... 4
<b>simple</b>	<b>18 Frame</b>	Assembly instructions - LIBRA ..... 6
<b>simple</b>	<b>18 Board</b>	Assembly instructions - FIESTA ..... 8
		Assembly instructions - FOCUS ..... 10
		Assembly instructions - LIBRA ..... 12
		Assembly instructions - UNO ..... 14
<b>blue</b>	<b>10 Frame</b>	Assembly instructions - FALA ..... 16
		Assembly instructions - POLO ..... 18
<b>blue</b>	<b>18 Frame</b>	Assembly instructions - ERA ..... 20
		Assembly instructions - LIBRA ..... 22
		Assembly instructions - REKORD ..... 24
<b>blue</b>	<b>18 Board</b>	Assembly instructions - ERA ..... 26
		Assembly instructions - REKORD ..... 28
		Assembly instructions - FIESTA ..... 30
		Assembly instructions - FOCUS ..... 32
		Assembly instructions - LIBRA ..... 34
		Assembly instructions - TRIO ..... 36
<b>simple</b>	<b>Start</b>	Assembly instructions - START ..... 38

## Pathway door systems

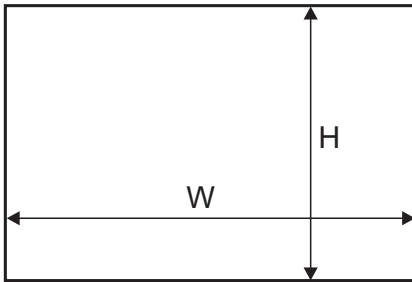
<b>simple</b>	<b>18 Inter</b>	Assembly instructions - INTER ..... 40
<b>simple</b>	<b>18 Galaxy</b>	Assembly instructions - GALAXY ..... 42



## COMPONENTS

<p><b>Handle Fala</b></p> <p>textile door stop, inserted 14 mm x 4 mm</p> <p>Length: 2,5 m, 2,7 m</p>	<p><b>Top track Simple</b></p> <p>68 mm</p> <p>Length: 1,5 m, 2,0 m, 2,5 m, 3,0 m, 4,0 m, 6,0 m</p>	<p><b>Bottom track Simple</b></p> <p>44 mm</p> <p>Length: 1,5 m, 2,0 m, 2,5 m, 3,0 m, 4,0 m, 6,0 m</p>	<p><b>Rubber finishing profile for bottom track</b></p> <p>Length: 2,0 m, 3,0 m, 6,0 m, 50,0 m</p>	<p><b>Gasket 4 mm</b></p> <p>4</p> <p>10</p>	<p><b>Gasket 4.5 mm</b></p> <p>4.5</p> <p>10</p>
<p><b>Top horizontal profile/SIMPLE 10 mid-rail</b></p> <p>Length: 1,5 m, 2,0 m, 2,5 m, 3,0 m</p>	<p><b>Bottom horizontal profile Simple 10</b></p> <p>Length: 1,5 m, 2,0 m, 2,5 m, 3,0 m</p>	<p><b>Bottom carriage Simple/Blue 10V</b></p> <p>(set)</p>	<p><b>Guiding carriage Simple 10 asymmetric</b></p> <p>(set)</p>	<p><b>Self-tapping screw Ø 6.3x32</b></p>	

## Dimensions of opening



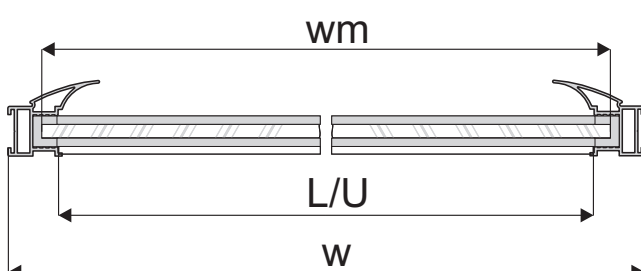
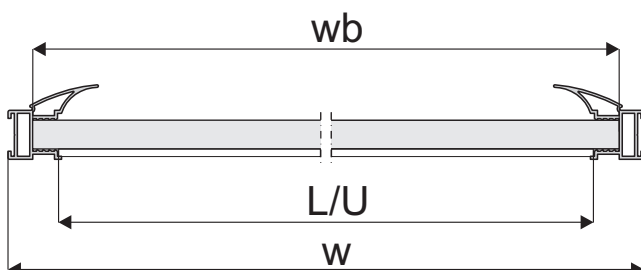
handle length = door height

door filling - # 10 mm board, # 4 mm mirror or # 4.5 mm safety glass

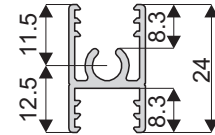
door height	- h	
- without soft-close		$h = H - 33 \text{ mm}$
- with soft-close Simple MINI		$h = H - 39 \text{ mm}$
board height	- hb	$hb = h - 65 \text{ mm}$
door width	- w	$w = (W - 3 \text{ mm} + Z) : N$
board width	- wb	$wb = w - 17 \text{ mm}$
horizontal profile length	- L	$L = U = w - 33.2 \text{ mm}$
upper horizontal profile length	- U	
mirror height	- hm	$hm = hb$
mirror width	- wm	$wm = wb - 4 \text{ mm}$

number of doors	- N	2	3
total overlap	- Z	30 mm	60 mm

visual design – 4 wings	
	$w = (W + 87) : 4$
	$w = (W : 2 + 27) : 2$

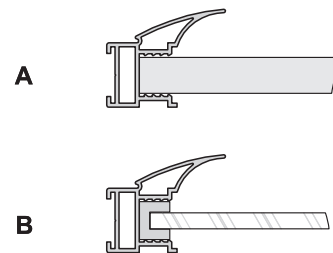


## Dimensions helpful during installation of horizontal mid-rails in Simple 10 Frame systems

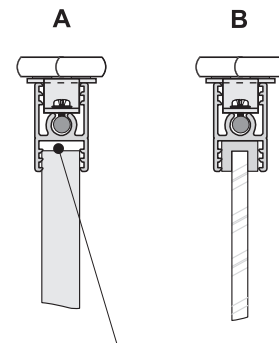


Installation method for fitting 10 mm board (diag. A) and 4 mm mirror or glass (diag.B)

- with handle

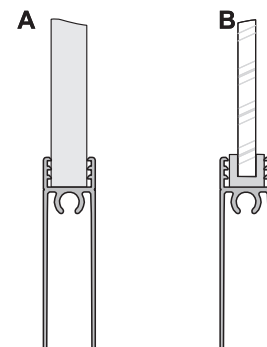


- with top horizontal profile



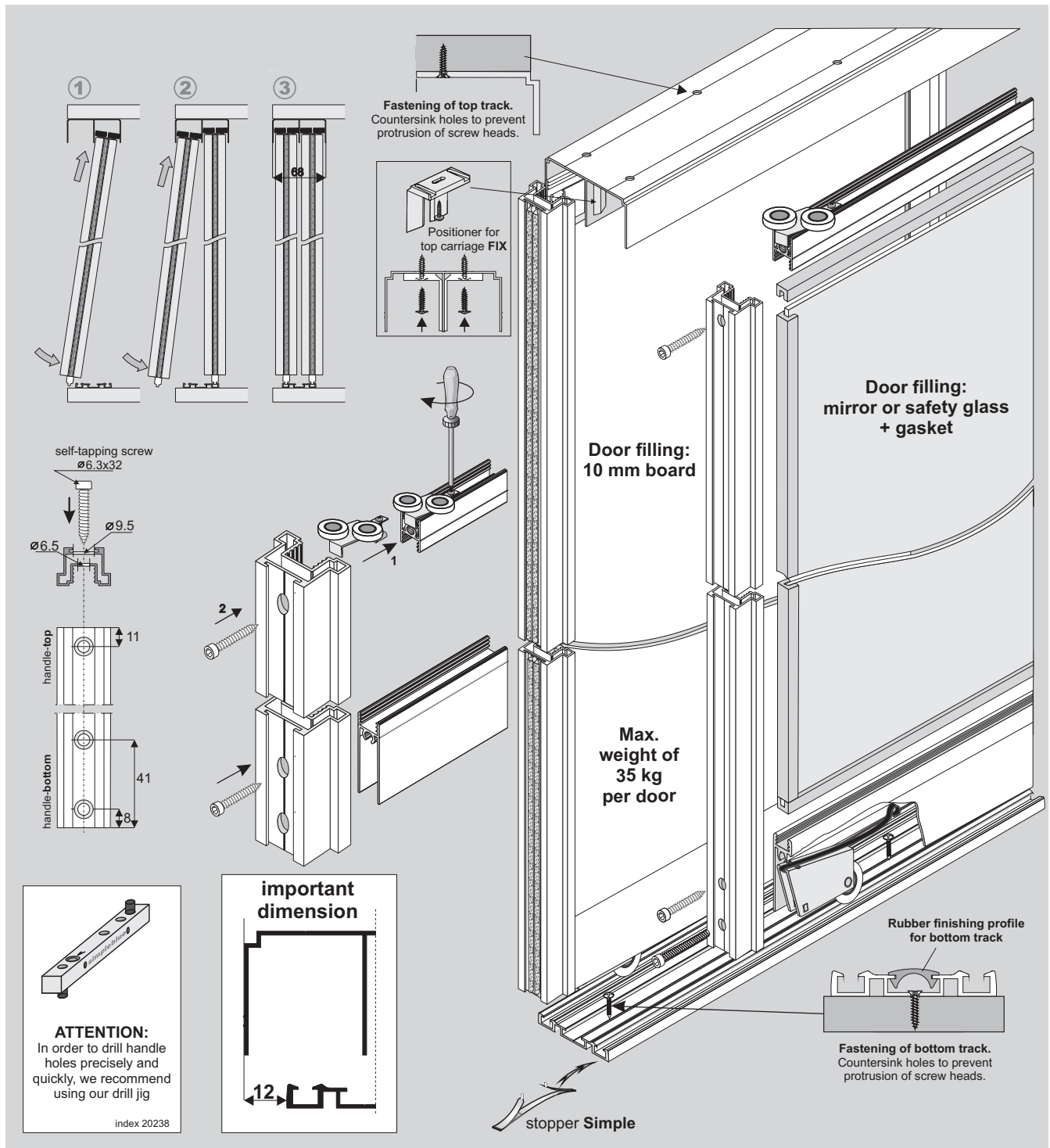
Expansion gap taken into account when calculating the height of chipboard

- with bottom horizontal profile



## ATTENTION!

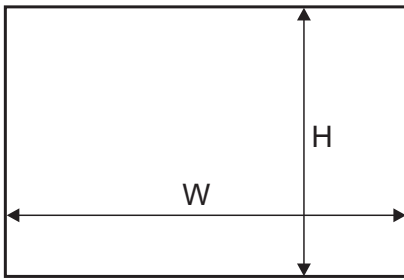
Mirror (4mm) should be used with a safety backing film. Safety glass (4.5mm) comprises of two thin layers with a film in-between. Both mirror and glass need fitting gasket.



**COMPONENTS**

<p><b>Handle Polo</b></p> <p>textile door stop, inserted 14 mm x 4 mm</p> <p>Length: 2.5 m, 2.7 m</p>	<p><b>Top track Simple</b></p> <p>68 mm</p> <p>Length: 1.5 m, 2.0 m, 2.5 m, 3.0 m, 4.0 m, 6.0 m</p>	<p><b>Bottom track Simple</b></p> <p>44 mm</p> <p>Length: 1.5 m, 2.0 m, 2.5 m, 3.0 m, 4.0 m, 6.0 m</p>	<p><b>Rubber finishing profile for bottom track</b></p> <p>Length: 2.0 m, 3.0 m, 6.0 m, 50.0 m</p>	<p><b>Gasket 4 mm</b></p> <p>4 10</p>	<p><b>Gasket 4.5 mm</b></p> <p>4.5 10</p>
<p><b>Top horizontal profile/ SIMPLE 10 mid-rail</b></p> <p>Length: 1.5 m, 2.0 m, 2.5 m, 3.0 m</p>	<p><b>Bottom horizontal profile Simple 10</b></p> <p>Length: 1.5 m, 2.0 m, 2.5 m, 3.0 m</p>	<p><b>Bottom carriage Simple/Blue 10V</b></p> <p>(Set)</p>	<p><b>Guiding carriage Simple 10 symmetric</b></p> <p>(Set)</p>	<p><b>Self-tapping screw Ø6.3x32</b></p>	

## Dimensions of opening



handle length = door height

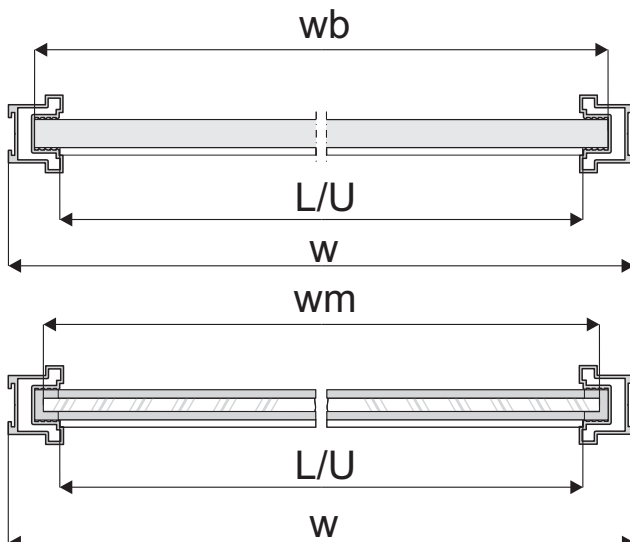
door filling - # 10 mm board, # 4 mm mirror  
or # 4.5 mm safety glass

door height	- h	$h = H - 33 \text{ mm}$
- without soft-close		$h = H - 33 \text{ mm}$
- with soft-close Simple MINI		$h = H - 39 \text{ mm}$
board height	- hb	$hb = h - 65 \text{ mm}$
door width	- w	$w = (W - 3 \text{ mm} + Z) : N$
board width	- wb	$wb = w - 18 \text{ mm}$
horizontal profile length	- L	$L = U = w - 34.2 \text{ mm}$
upper horizontal profile length	- U	
mirror height	- hm	$hm = hb$
mirror width	- wm	$wm = wb - 4 \text{ mm}$

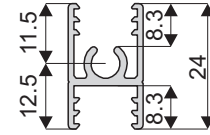
number of doors	- N	2	3
total overlap	- Z	18 mm	37 mm

## visual design - 4 wings

	$w = (W + 55) : 4$
	$w = (W : 2 + 15) : 2$

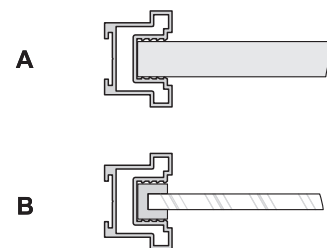


## Dimensions helpful during installation of horizontal mid-rails in Simple 10 Frame systems

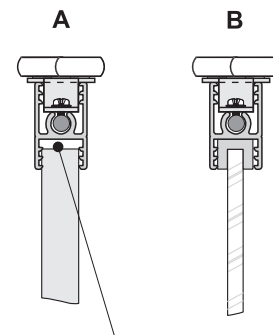


## Installation method for fitting 10 mm board (diag. A) and 4mm mirror or glass (diag. B)

- with handle

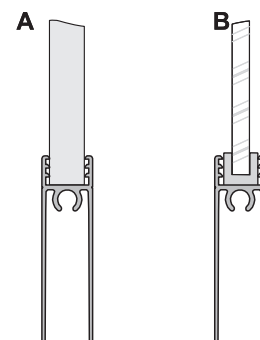


- with top horizontal profile



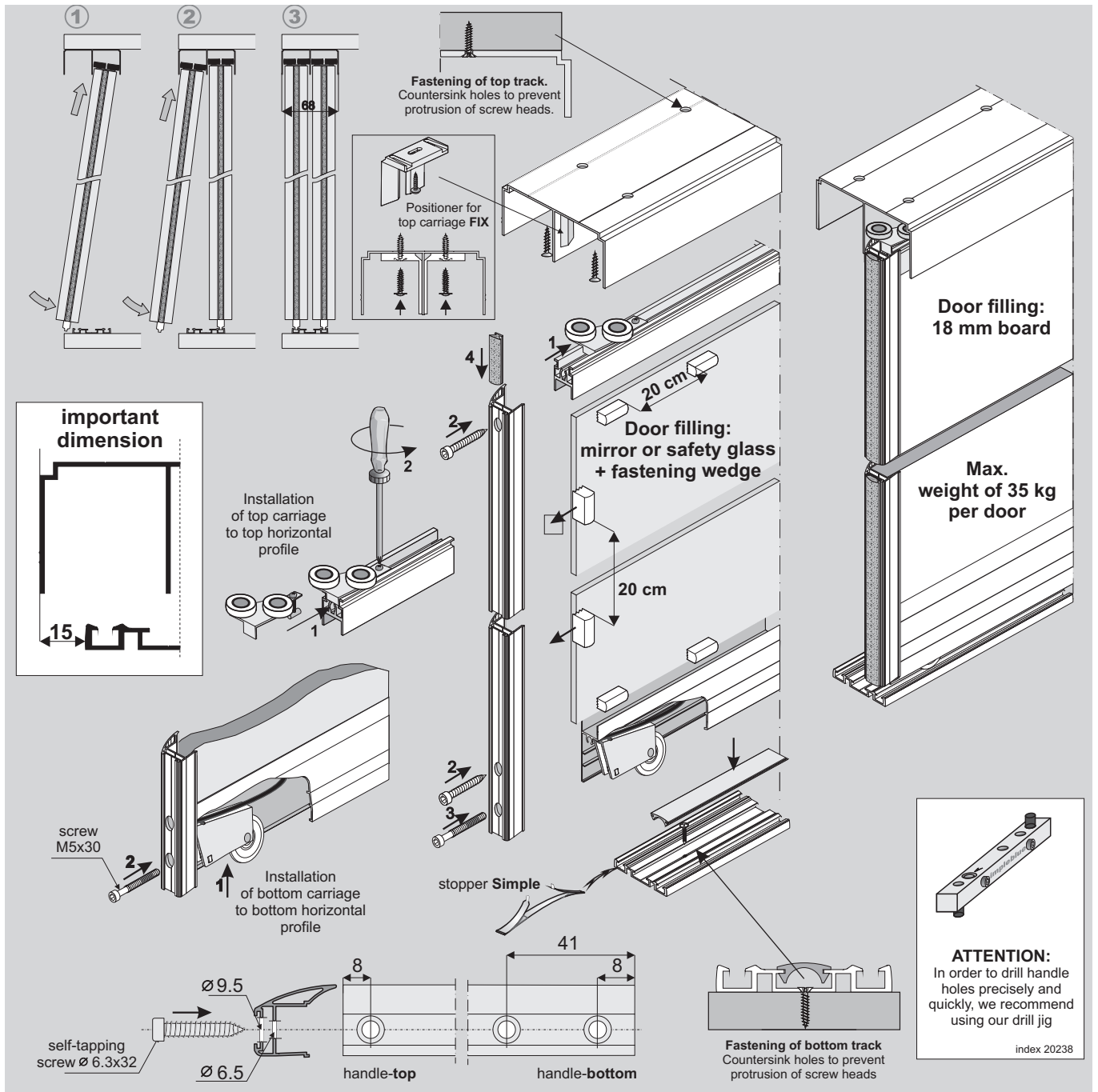
Expansion gap taken into account when calculating the height of chipboard

- with bottom horizontal profile



## ATTENTION!

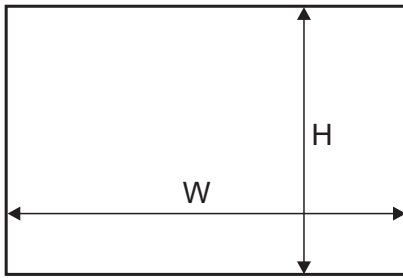
Mirror (4mm) should be used with a safety backing film. Safety glass (4.5mm) comprises of two thin layers with a film in-between. Both mirror and glass need fitting gasket.



**COMPONENTS**

<p><b>Handle Libra</b></p> <p>textile door stop, inserted 14 mm x 4 mm</p> <p>Length: 2,5 m, 2,7 m</p>	<p><b>Top track Simple</b></p> <p>68 mm</p> <p>Length: 1,5 m, 2,0 m, 2,5 m, 3,0 m, 4,0 m, 6,0 m</p>	<p><b>Bottom track Simple</b></p> <p>44 mm</p> <p>Length: 1,5 m, 2,0 m, 2,5 m, 3,0 m, 4,0 m, 6,0 m</p>	<p><b>Rubber finishing profile for bottom track</b></p> <p>Length: 2,0 m, 3,0 m, 6,0 m, 50,0 m</p>	<p><b>H28 Simple mid-rail</b></p> <p>Length: 3,0 m</p>	<p><b>H21 Simple mid-rail</b></p> <p>Length: 3,0 m</p>
<p><b>Top horizontal profile Simple Frame II</b></p> <p>Length: 1,5 m, 2,0 m, 2,5 m, 3,0 m</p>	<p><b>Bottom horizontal profile Simple Frame II</b></p> <p>Length: 1,5 m, 2,0 m, 2,5 m, 3,0 m</p>	<p><b>Guiding carriage Simple 18 Frame</b></p> <p>(Set)</p>	<p><b>Bottom carriage Simple/Blue 10V</b></p> <p>(Set)</p>	<p><b>Self-tapping screw <math>\varnothing 6.3 \times 32</math></b></p>	<p><b>Fastening wedge for glass Simple Frame</b></p>

## Dimensions of opening

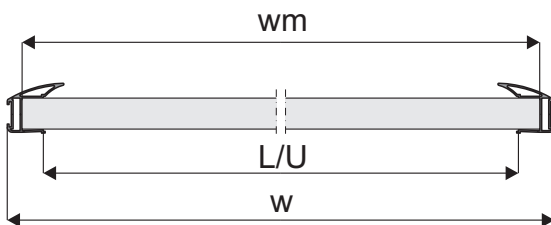


## door filling - board $\neq$ 18 mm, glass $\neq$ 4 mm

door height	- h	
- without soft-close		$h = H - 33 \text{ mm}$
- with soft-close Simple MINI and Simple CENTRAL		$h = H - 39 \text{ mm}$
board height	- hb	$hb = h - 60 \text{ mm}$
door width	- w	$w = (W - 3 \text{ mm} + Z) : N$
board width	- wb	$wb = w - 17 \text{ mm}$
horizontal profile length	- L	$L = U = w - 40.4 \text{ mm}$
upper horizontal profile length	- U	

number of doors	- N	2	3
total overlap	- Z	32 mm	64 mm

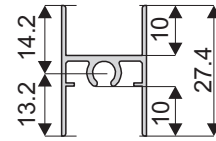
visual design - 4 wings	
	$w = (W + 93) : 4$
	$w = (W : 2 + 29) : 2$



## door filling - 4 mm glass or mirror

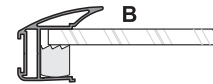
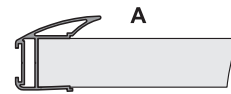
mirror height	- hm	$hm = hb$
mirror width	- wm	$wm = wb - 4 \text{ mm}$

## Dimensions helpful during installation of horizontal mid-rails in Simple-Frame systems

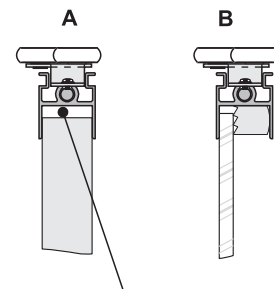


## Installation method for fitting 18 mm board (diag. A) and 4 mm mirror or glass (diag. B)

- with handle

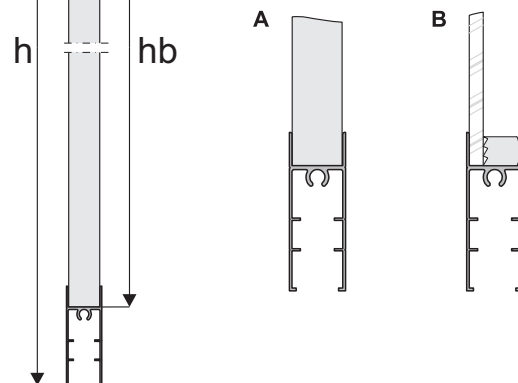


- with top horizontal profile



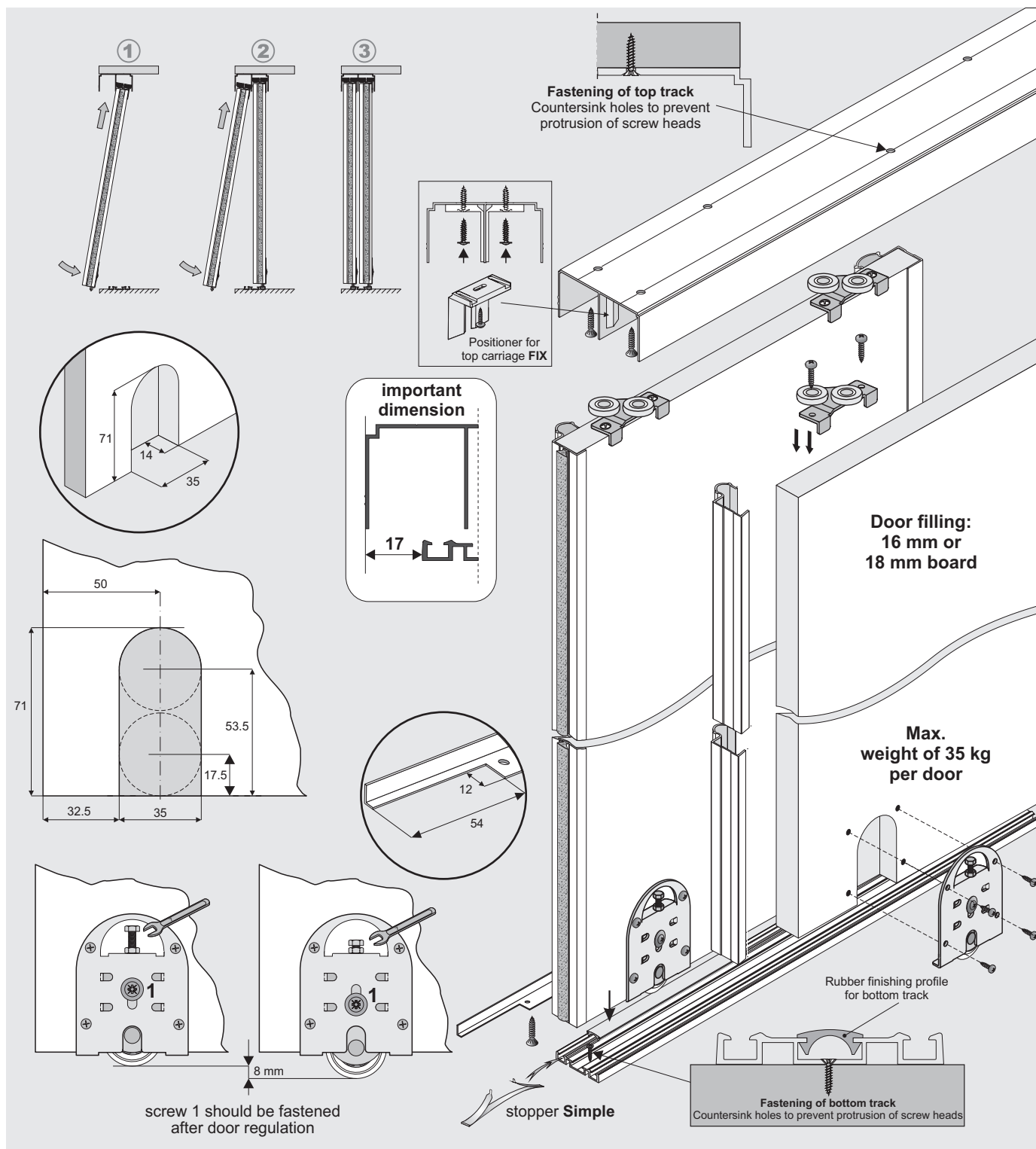
Expansion gap taken into account when calculating the height of chipboard

- with bottom horizontal profile


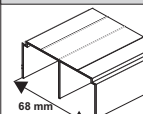
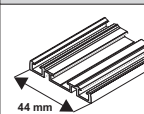

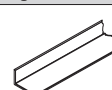
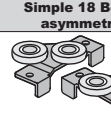



## ATTENTION!

Mirror (4mm) should be used with a safety backing film. Safety glass (4.5mm) comprises of two thin layers with a film in-between.

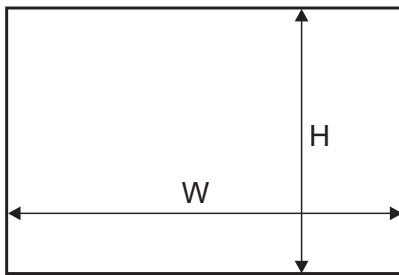


**COMPONENTS**

<p><b>Handle Fiesta-Decor C</b></p>  <p>textile door stop, self-adhesive 4.8 mm x 4 mm #16 i #18</p>	<p><b>Top track Simple</b></p>  <p>68 mm</p>	<p><b>Bottom track Simple</b></p>  <p>44 mm</p>	<p><b>Rubber finishing profile for bottom track</b></p> 	<p><b>Angle section Mini</b></p>  <p>11 mm x 17 mm</p>	<p><b>Guiding carriage Simple 18 Board asymmetric</b></p>  <p>(Set)</p>	<p><b>Bottom carriage Simple 18V Board</b></p> 
<p>Length: 2,4 m, 2,7 m</p>	<p>Length: 1,5 m, 2,0 m, 2,5 m, 3,0 m, 4,0 m, 6,0 m</p>	<p>Length: 1,5 m, 2,0 m, 2,5 m, 3,0 m, 4,0 m, 6,0 m</p>	<p>Length: 2,0 m, 3,0 m, 6,0 m, 50,0 m</p>	<p>Length: 1,7 m, 2,35 m, 3,0 m</p>		



Dimensions of opening



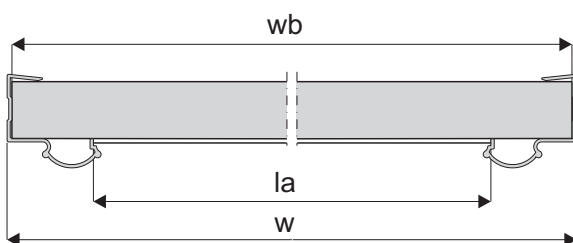
handle length = door height

**door filling** - board #16 mm or #18 mm board

door height - without soft-close - with soft-close Simple MINI and Simple CENTRAL	- h	$h = H - 36 \text{ mm}$ $h = H - 42 \text{ mm}$
board height	- hb	$hb = h - 1 \text{ mm}$
door width	- w	$w = (W - 3 + Z) : N$
board width	- wb	$wb = w - 3 \text{ mm}$
angle section length	- la	$la = w - 52 \text{ mm}$

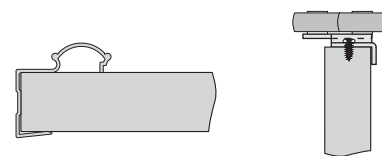
number of doors	- N	2	3
total overlap	- Z	29 mm	58 mm

visual design - 4 wings	
	$w = (W + 84) : 4$
	$w = (W : 2 + 26) : 2$

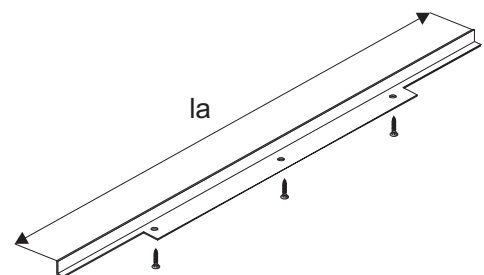


- When fitting handle profiles,  
do not use assembly adhesive

**Installation method for handle and guiding carriage with # 16 mm or 18 mm board**



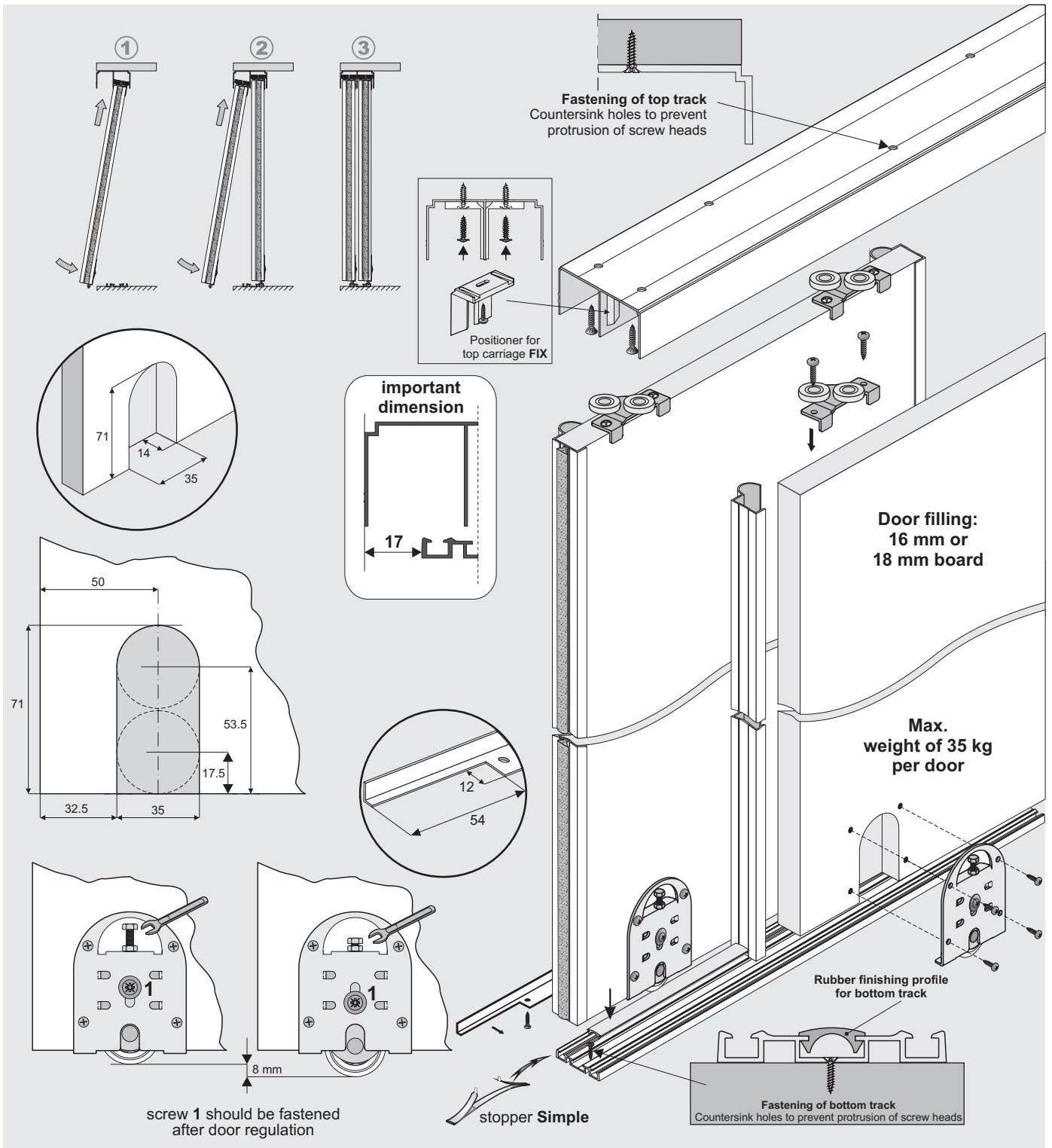
**Installation method for angle section 11 mm x 17 mm**



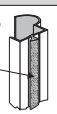
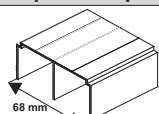
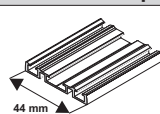
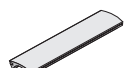

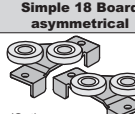

**WARNING**

*We do not bear any responsibility for deformation resulting from the application of improper quality of boards (improper storage, improper humidity)*

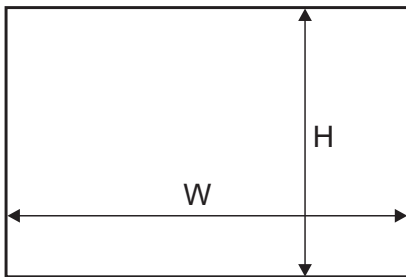
**ATTENTION!** Remove protective film from aluminium elements (handles, tracks, connectors, etc.) prior to cutting them to the desired size. Film removal will reveal quality issues (eg. scratches)



COMPONENTS

<p><b>Handle Focus</b></p> <p>textile door stop (self-adhesive) 4.8 mm x 4 mm</p>  <p>#16 &amp; #18</p>	<p><b>Top track Simple</b></p>  <p>68 mm</p>	<p><b>Bottom track Simple</b></p>  <p>44 mm</p>	<p><b>Rubber finishing profile for bottom track</b></p> 	<p><b>Angle section Mini</b></p>  <p>11 mm x 17 mm</p>	<p><b>Guiding carriage Simple 18 Board asymmetrical</b></p>  <p>(Set)</p>	<p><b>Bottom carriage Simple 18V Board</b></p> 
<p>Length: 2.4 m, 2.7 m</p>	<p>Length: 1.5 m, 2.0 m, 2.5 m, 3.0 m, 4.0 m, 6.0 m</p>	<p>Length: 1.5 m, 2.0 m, 2.5 m, 3.0 m, 4.0 m, 6.0 m</p>	<p>Length: 2.0 m, 3.0 m, 6.0 m, 50.0 m</p>	<p>Length: 1.7 m, 2.35 m, 3.0 m</p>		

Dimensions of opening



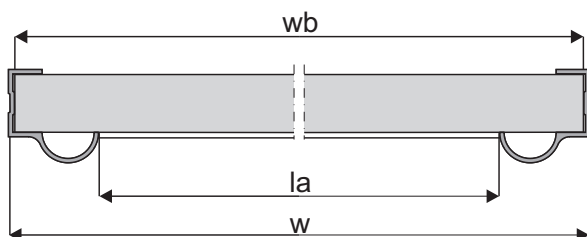
handle length = door height

**door filling** – #16 mm or #18 mm board

door height - without soft-close - with soft-close Simple MINI end Simple CENTRAL	- h	$h = H - 36 \text{ mm}$ $h = H - 42 \text{ mm}$
board height	- hb	$hb = h - 1 \text{ mm}$
door width	- w	$w = (W - 3 + Z) : N$
board width	- wb	$wb = w - 3 \text{ mm}$
angle section length	- la	$la = w - 58 \text{ mm}$

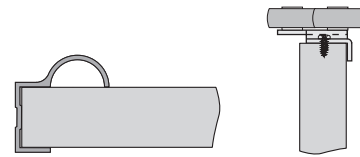
number of doors	- N	2	3
total overlap	- Z	29 mm	58 mm

visual design – 4 wings	
	$w = (W + 84) : 4$
	$w = (W : 2 + 26) : 2$

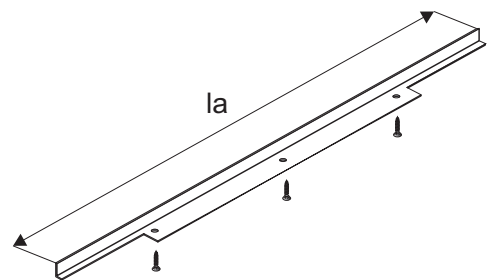


- When fitting handle profiles, do not use assembly adhesive

Installation method for handle and guiding carriage with # 16 mm or 18 mm board



Installation method for angle section 11 mm x 17 mm

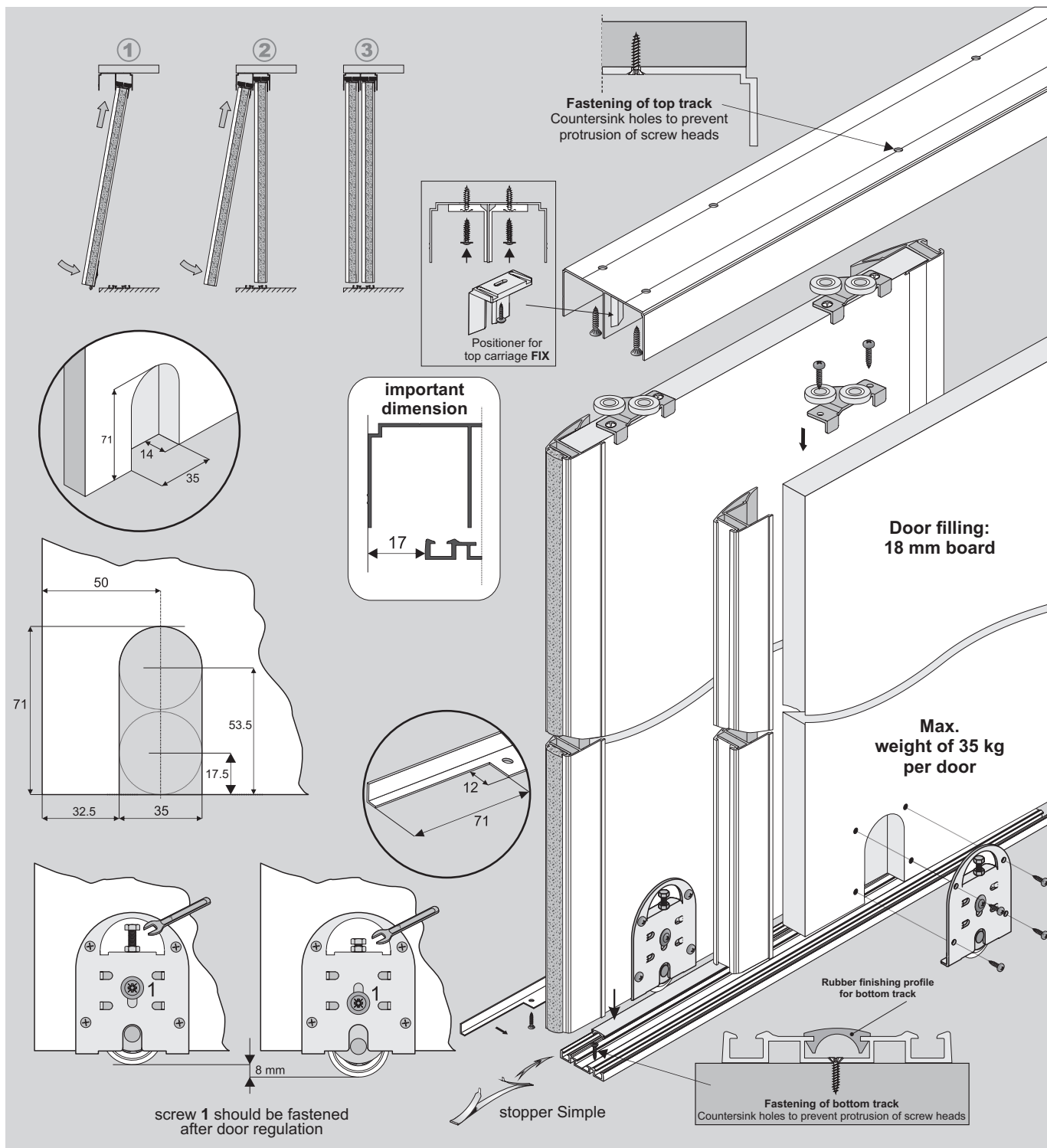


**WARNING**

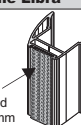
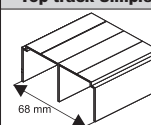
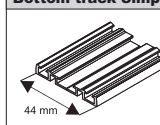

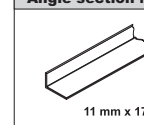
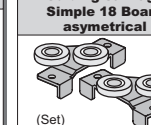
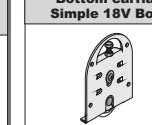
*We do not bear any responsibility for deformation resulting from the application of improper quality of boards (improper storage, improper humidity)*

**ATTENTION!**

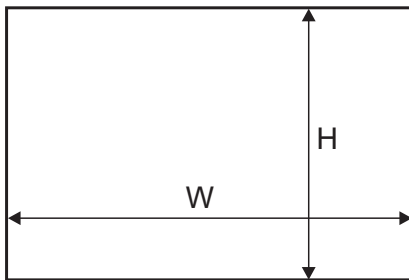
Remove protective film from aluminium elements (handles, tracks, connectors, etc.) prior to cutting them to the desired size. Film removal will reveal quality issues (eg. scratches)



**COMPONENTS**

<p><b>Handle Libra</b></p>  <p>textile door stop, inserted 14 mm x 4 mm</p> <p>Length: 2.4 m, 2.7 m</p>	<p><b>Top track Simple</b></p>  <p>68 mm</p> <p>Length: 1.5 m, 2.0 m, 2.5 m, 3.0 m, 4.0 m, 6.0 m</p>	<p><b>Bottom track Simple</b></p>  <p>44 mm</p> <p>Length: 1.5 m, 2.0 m, 2.5 m, 3.0 m, 4.0 m, 6.0 m</p>	<p><b>Rubber finishing profile for bottom track</b></p>  <p>Length: 2.0 m, 3.0 m, 6.0 m, 50 m</p>	<p><b>Angle section Mini</b></p>  <p>11 mm x 17 mm</p> <p>Length: 1.7 m, 2.35 m, 3.0 m</p>	<p><b>Guiding carriage Simple 18 Board asymetrical</b></p>  <p>(Set)</p>	<p><b>Bottom carriage Simple 18V Board</b></p> 
--	---	--	--	--	---	--

Dimensions of opening



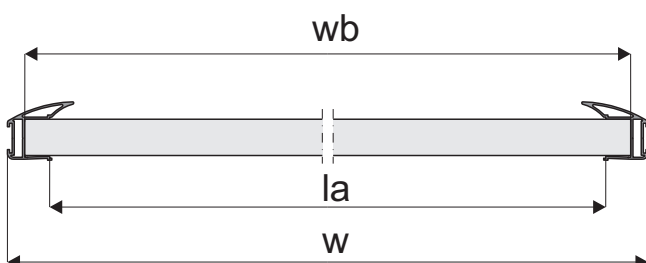
handle length = door height

**door filling – #18 mm board**

door height	- h	$h = H - 36 \text{ mm}$
- without soft-close		
- with soft-close Simple MINI and Simple CENTRAL		$h = H - 42 \text{ mm}$
board height	- hb	$hb = h - 1 \text{ mm}$
door width	- w	$w = (W - 3 + Z) : N$
board width	- wb	$wb = w - 17 \text{ mm}$
angle section length	- la	$la = w - 41 \text{ mm}$

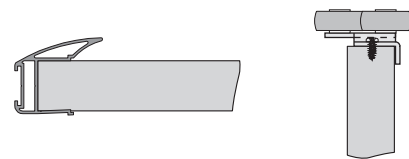
number of doors	- N	2	3
total overlap	- Z	32 mm	64 mm

visual design - 4 wings	
	$w = (W + 93) : 4$
	$w = (W : 2 + 29) : 2$

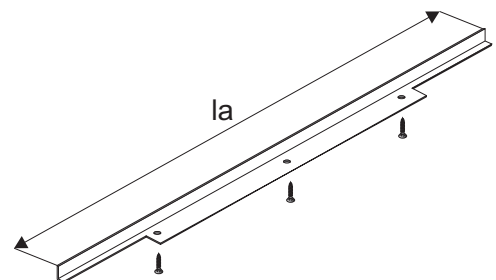


- When fitting handle profiles, do not use assembly adhesive

**Installation method for handle and guiding carriage with # 18 mm board**

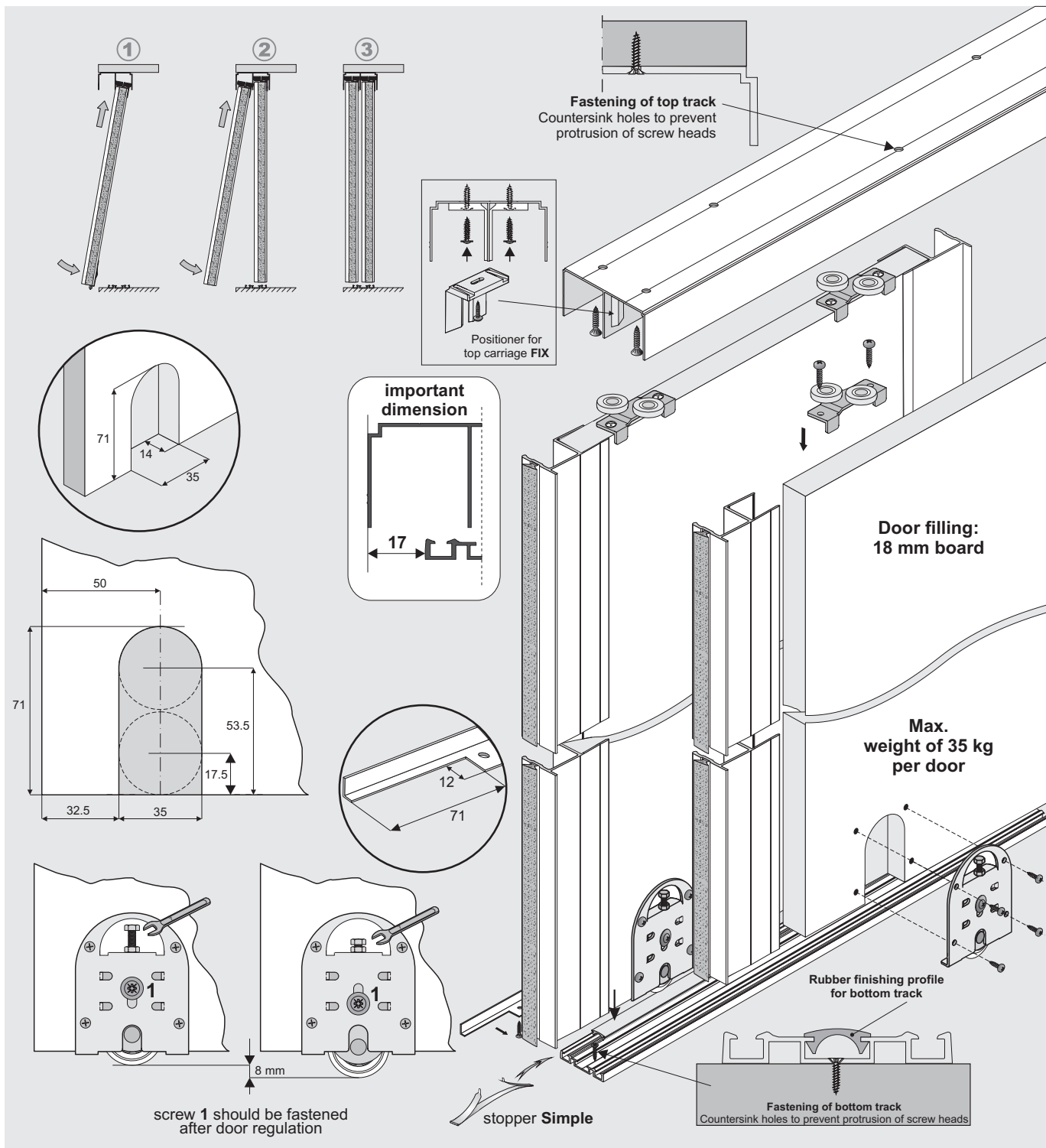


**Installation method for angle section 11 mm x 17 mm**

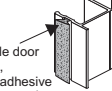
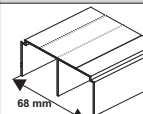
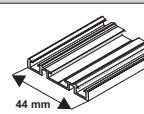
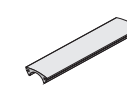
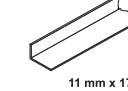
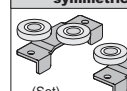



**WARNING**

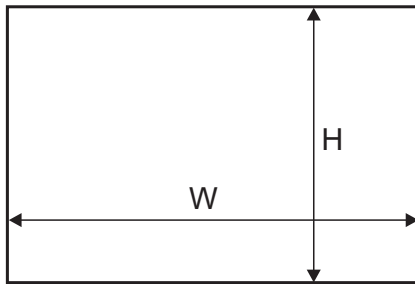
*We do not bear any responsibility for deformation resulting from the application of improper quality of boards (improper storage, improper humidity).*



**COMPONENTS**

<p><b>Handle Uno</b></p>  <p>textile door stop, self-adhesive 4.8 mm x 4 mm</p> <p>Length: 2.7 m</p>	<p><b>Top track Simple</b></p>  <p>68 mm</p> <p>Length: 1.5 m, 2.0 m, 2.5 m, 3.0 m, 4.0 m, 6.0 m</p>	<p><b>Bottom track Simple</b></p>  <p>44 mm</p> <p>Length: 1.5 m, 2.0 m, 2.5 m, 3.0 m, 4.0 m, 6.0 m</p>	<p><b>Rubber finishing profile for bottom track</b></p>  <p>Length: 2.0 m, 3.0 m, 6.0 m, 50.0 m</p>	<p><b>Angle section Mini</b></p>  <p>11 mm x 17 mm</p> <p>Length: 1.7 m, 2.35 m, 3.0 m</p>	<p><b>Guiding carriage Simple 18 Board symmetrical</b></p>  <p>(Set)</p>	<p><b>Bottom carriage Simple 18V Board</b></p> 
---	---	--	--	--	---	--

Dimensions of opening



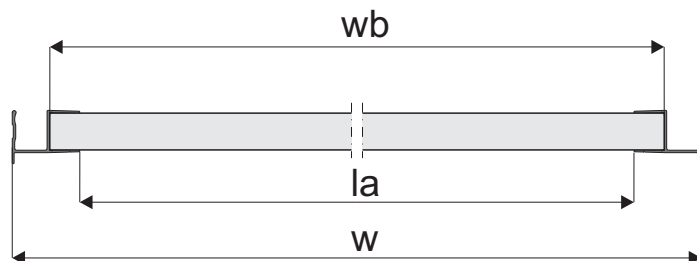
handle length = door height

door filling – #18 mm board

door height - without soft-close	- h	$h = H - 36 \text{ mm}$
- with soft-close Simple MINI and Simple CENTRAL		$h = H - 42 \text{ mm}$
board height	- hb	$hb = h - 1 \text{ mm}$
door width	- w	$w = (W - 3 + Z) : N$
board width	- wb	$wb = w - 36 \text{ mm}$
angle section length	- la	$la = w - 66 \text{ mm}$

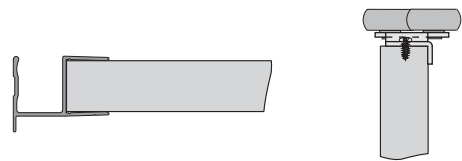
number of doors	- N	2	3
total overlap	- Z	33 mm	66 mm

visual design – 4 wings	
	$w = (W + 96) : 4$
	$w = (W : 2 + 30) : 2$

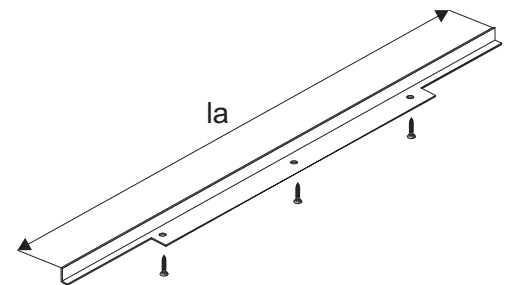


- When fitting handle profiles, do not use assembly adhesive

Installation method for handle and guiding carriage with # 18 mm board



Installation method for angle section 11 mm x 17 mm

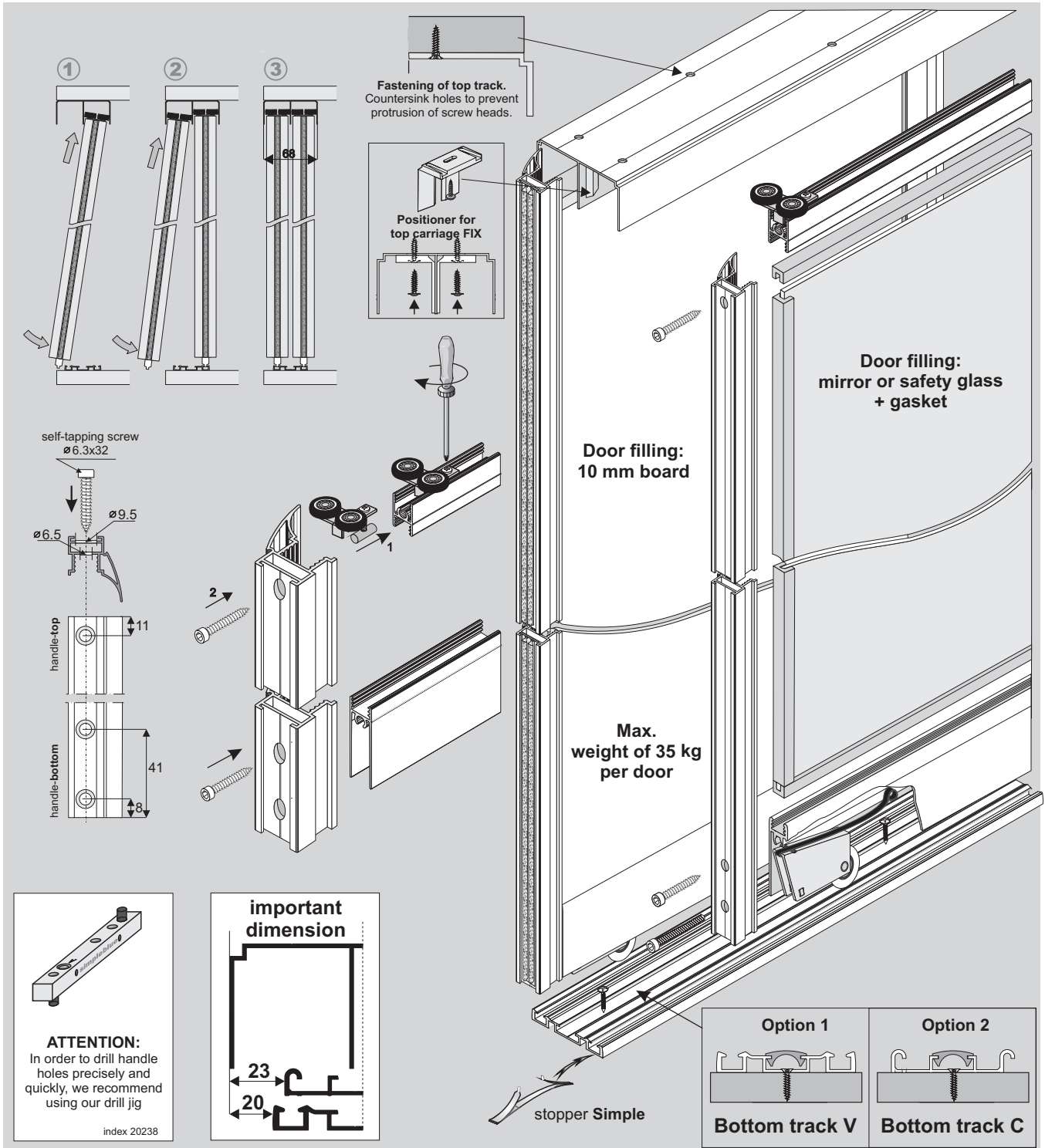


**WARNING**

We do not bear any responsibility for deformation resulting from the application of improper quality of boards (improper storage, improper humidity).

**ATTENTION!**

Remove protective film from aluminium elements (handles, tracks, connectors, etc.) prior to cutting them to the desired size. Film removal will reveal quality issues (eg. scratches)

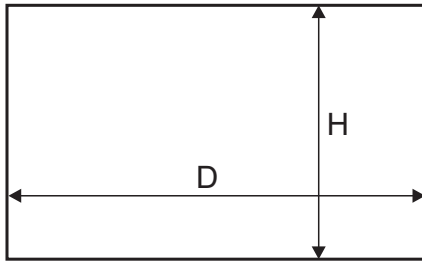


COMPONENTS

<p><b>Handle FALA</b></p> <p>textile door stop, inserted 14 mm x 4 mm</p> <p>Length: 2.5 m, 2.7 m</p>	<p><b>Top track Blue</b></p> <p>75 mm</p> <p>Length: 1.5 m, 2.0 m, 2.5 m, 3.0 m, 4.0 m, 6.0 m</p>	<p><b>Bottom track Blue-V</b></p> <p>Option 1</p> <p>48 mm</p> <p>Length: 1.5 m, 2.0 m, 2.5 m, 3.0 m, 4.0 m, 6.0 m</p>	<p><b>Bottom track Blue-C</b></p> <p>Option 2</p> <p>42 mm</p> <p>Length: 1.5 m, 2.0 m, 2.5 m, 3.0 m, 4.0 m, 6.0 m</p>	<p><b>Rubber finishing profile for bottom track</b></p> <p>Length: 50.0 m</p>	<p><b>Gasket 4 mm</b></p> <p>4 10</p>	<p><b>Gasket 4.5 mm</b></p> <p>4.5 10</p>
<p><b>Top horizontal profile/SIMPLE 10 mid-rail</b></p> <p>Length: 1.5 m, 2.0 m, 2.5 m, 3.0 m</p>	<p><b>Bottom horizontal profile Simple 10</b></p> <p>Length: 1.5 m, 2.0 m, 2.5 m, 3.0 m</p>	<p><b>Guiding carriage Blue 10 asymmetrical</b></p> <p>(Set)</p>	<p><b>Bottom carriage Simple/Blue 10 V</b></p> <p>Option 1</p> <p>(Set)</p>	<p><b>Bottom carriage Simple/Blue 10 C</b></p> <p>Option 2</p> <p>(Set)</p>	<p><b>Self-tapping screw <math>\varnothing 6.3 \times 32</math></b></p>	



Dimensions of opening



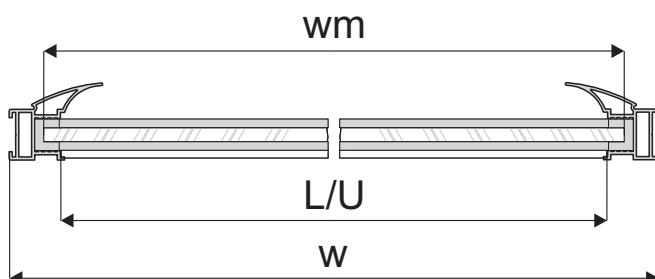
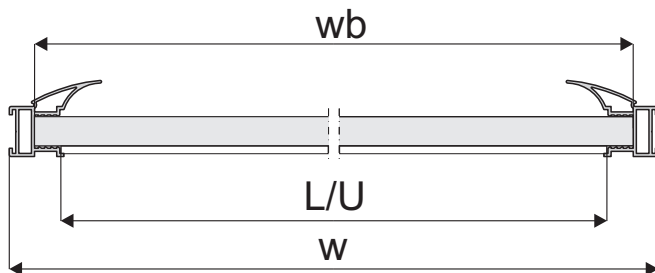
handle length = door height

**door filling** - # 10 mm board, # 4 mm mirror or # 4.5 mm safety glass

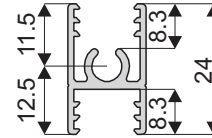
door height	- h	
- without soft-close		$h = H - 35 \text{ mm}$
- with soft-close Simple MINI (bottom carriage <b>Blue 10V</b> )		$h = H - 39 \text{ mm}$
- with soft-close Simple MINI (bottom carriage <b>Blue 10C</b> )		$h = H - 42 \text{ mm}$
board height	- hb	$hb = h - 65 \text{ mm}$
door width	- w	$w = (W - 3 \text{ mm} + Z) : N$
board width	- wb	$wb = w - 17 \text{ mm}$
horizontal profile length	- L	$L = U = w - 33.2 \text{ mm}$
upper horizontal profile length	- U	
mirror height	- hm	$hm = hb$
mirror width	- wm	$wm = wb - 4 \text{ mm}$

number of doors	- N	2	3
total overlap	- Z	30 mm	60 mm

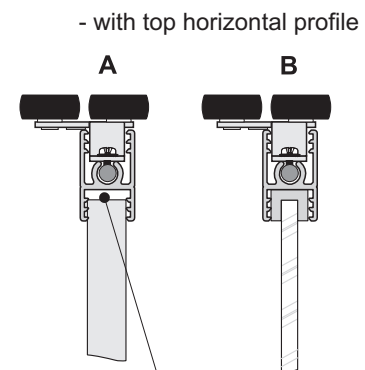
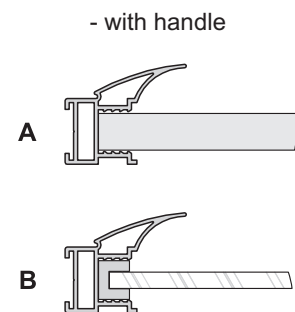
visual design – 4 wings	
	$w = (W + 87) : 4$
	$w = (W : 2 + 27) : 2$



Dimensions helpful during installation of horizontal mid-rails in Simple 10 Frame systems

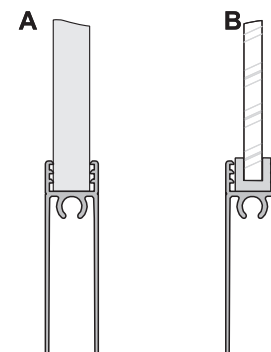


Installation method for fitting 10 mm board (diag. A) and 4 mm mirror or glass (diag. B)



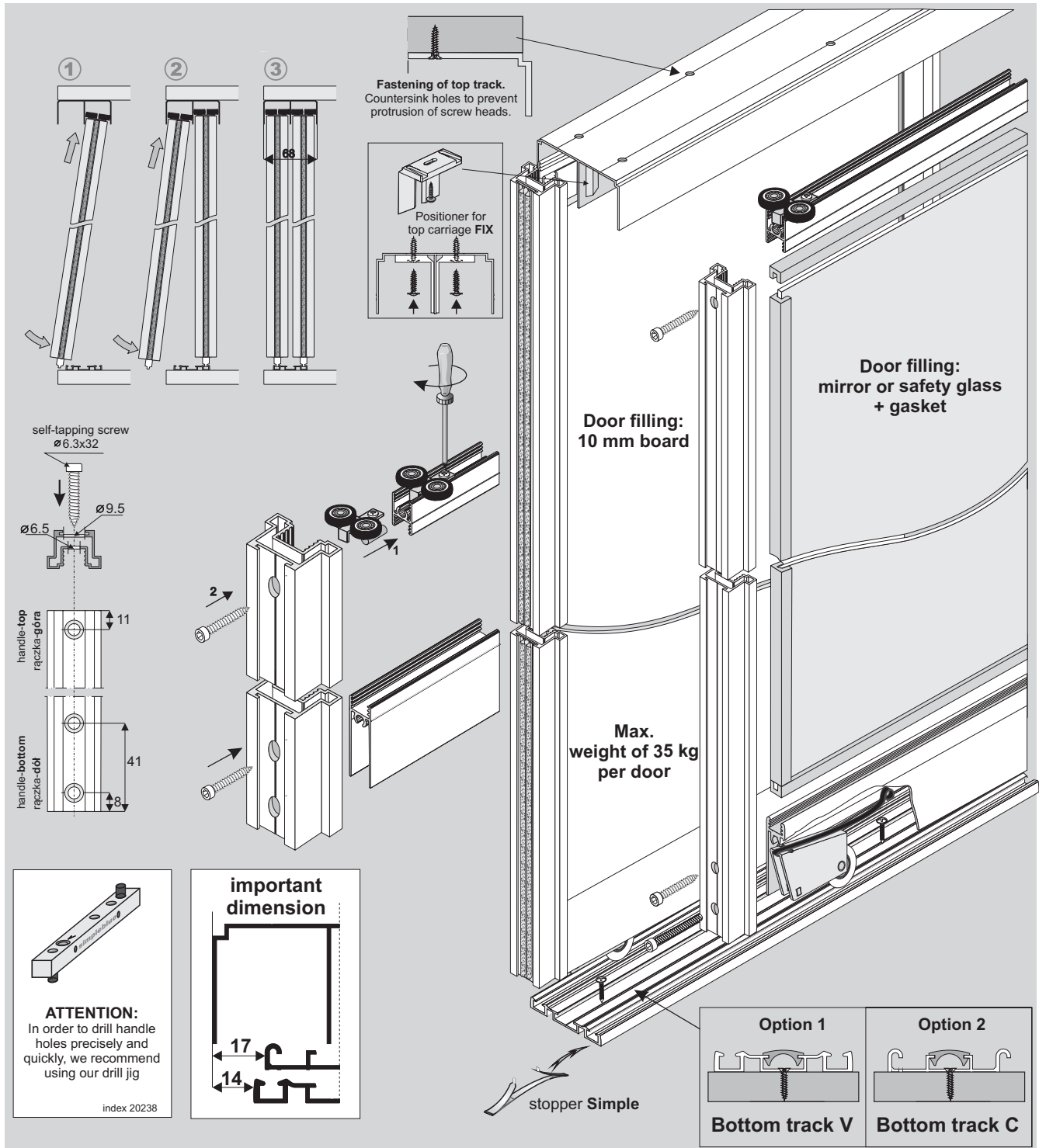
Expansion gap taken into account when calculating the height of chipboard

- with bottom horizontal profile



**ATTENTION!**

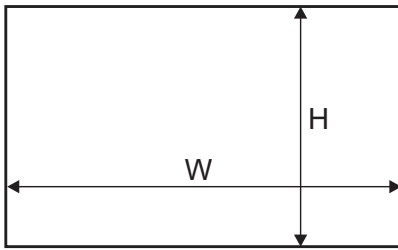
Mirror (4mm) should be used with a safety backing film. Safety glass (4.5mm) comprises of two thin layers with a film in-between. Both mirror and glass need fitting gasket.



COMPONENTS

<p><b>Handle POLO</b></p> <p>textile door stop, inserted 14 mm x 4 mm</p> <p>Length: 2.5 m, 2.7 m</p>	<p><b>Top track Blue</b></p> <p>75 mm</p> <p>Length: 1.5 m, 2.0 m, 2.5 m, 3.0 m, 4.0 m, 6.0 m</p>	<p><b>Bottom track Blue-V</b></p> <p>Option 1</p> <p>48 mm</p> <p>Length: 1.5 m, 2.0 m, 2.5 m, 3.0 m, 4.0 m, 6.0 m</p>	<p><b>Bottom track Blue-C</b></p> <p>Option 2</p> <p>42 mm</p> <p>Length: 1.5 m, 2.0 m, 2.5 m, 3.0 m, 4.0 m, 6.0 m</p>	<p><b>Rubber finishing profile for bottom track</b></p> <p>Length: 50.0 m</p>	<p><b>Gasket 4 mm</b></p> <p>4</p> <p>10</p>	<p><b>Gasket 4.5 mm</b></p> <p>4.5</p> <p>10</p>
<p><b>Top horizontal profile/SIMPLE 10 mid-rail</b></p> <p>Length: 1.5 m, 2.0 m, 2.5 m, 3.0 m</p>	<p><b>Bottom horizontal profile Simple 10</b></p> <p>Length: 1.5 m, 2.0 m, 2.5 m, 3.0 m</p>	<p><b>Guiding carriage Blue 10 symmetrical</b></p> <p>(Set)</p>	<p><b>Bottom carriage Simple/Blue 10V</b></p> <p>Option 1</p> <p>(Set)</p>	<p><b>Bottom carriage Simple/Blue 10C</b></p> <p>Option 2</p> <p>(Set)</p>	<p><b>Self-tapping screw <math>\varnothing 6.3 \times 32</math></b></p>	

Dimensions of opening



handle length = door height

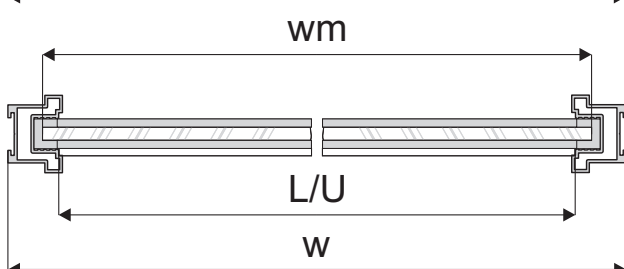
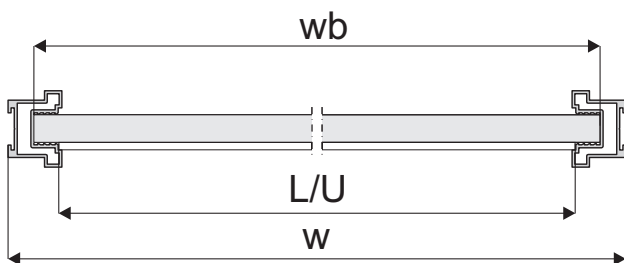
**door filling** - # 10 mm board, # 4 mm mirror or # 4.5 mm safety glass

door height	- h	$h = H - 35 \text{ mm}$
- without soft-close		$h = H - 35 \text{ mm}$
- with soft-close Simple MINI (bottom carriage <b>Blue 10V</b> )		$h = H - 39 \text{ mm}$
- with soft-close Simple MINI (bottom carriage <b>Blue 10C</b> )		$h = H - 42 \text{ mm}$
board height	- hb	$hb = h - 65 \text{ mm}$
door width	- w	$w = (W - 3 \text{ mm} + Z) : N$
board width	- wb	$wb = w - 18 \text{ mm}$
horizontal profile length	- L	$L = U = w - 34.2 \text{ mm}$
upper horizontal profile length	- U	
mirror height	- hm	$hm = hb$
mirror width	- wm	$wm = wb - 4 \text{ mm}$

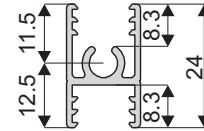
number of doors	- N	2	3
total overlap	- Z	18 mm	37 mm

visual design – 4 wings

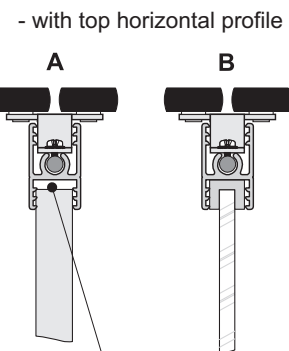
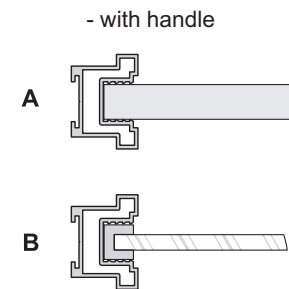
	$w = (W + 55) : 4$
	$w = (W : 2 + 15) : 2$



Dimensions helpful during installation of horizontal mid-rails in Simple 10 Frame systems

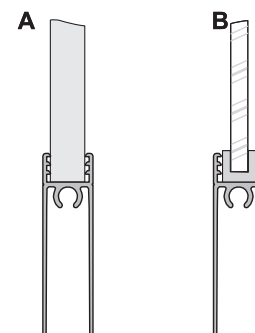


Installation method for fitting 10 mm board (diag. A) and 4 mm mirror or glass (diag. B)



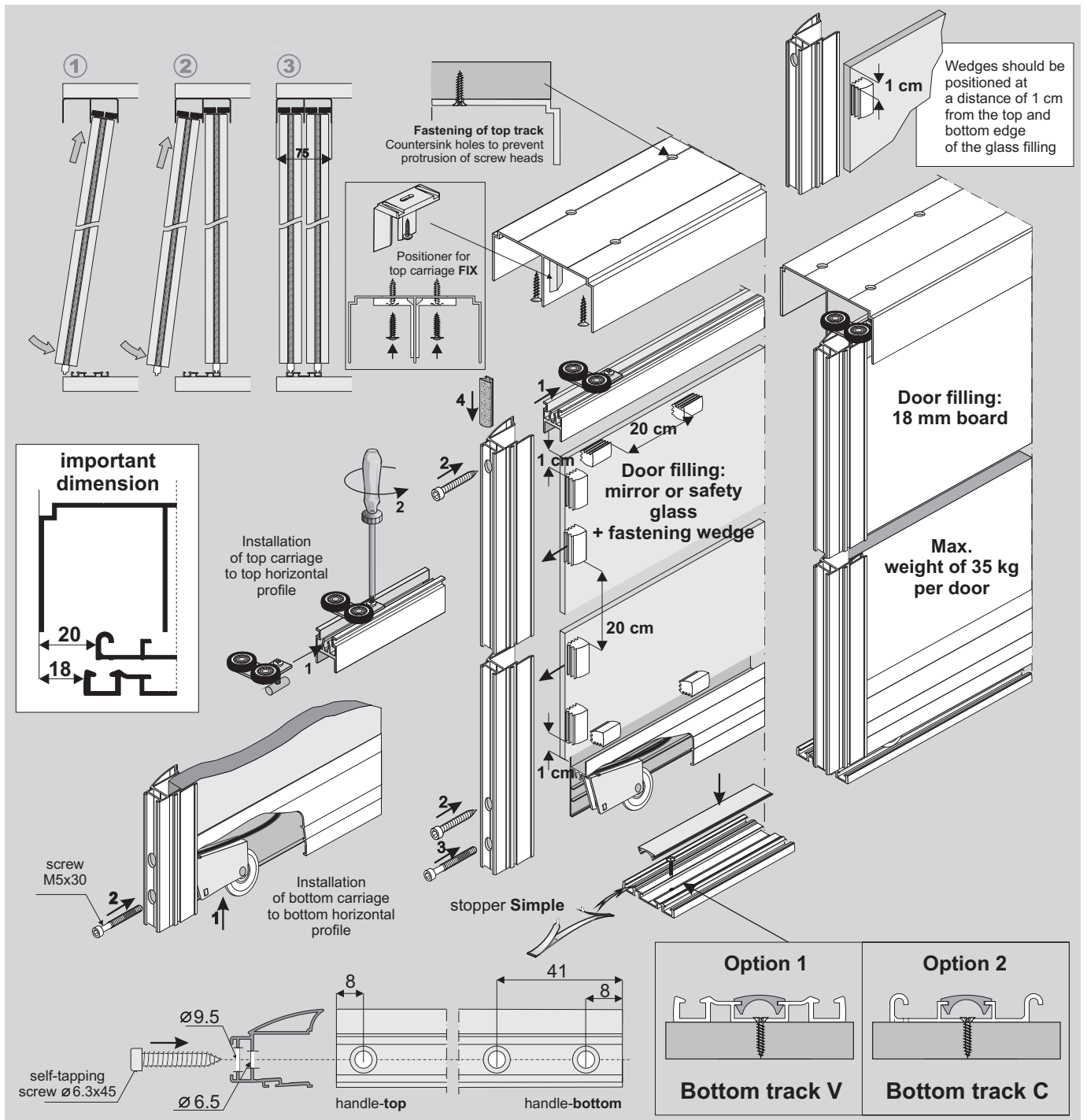
Expansion gap taken into account when calculating the height of chipboard

- with bottom horizontal profile



**ATTENTION!**

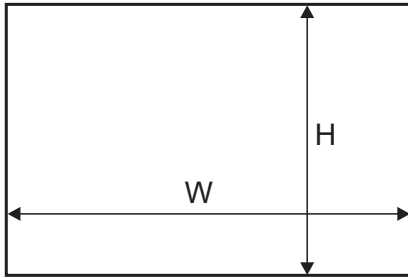
Mirror (4mm) should be used with a safety backing film. Safety glass (4.5mm) comprises of two thin layers with a film in-between. Both mirror and glass need fitting gasket.



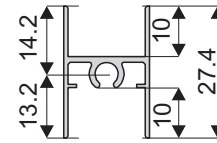
**COMPONENTS**

<p><b>Handle Era</b></p> <p>#4 / #18</p> <p>textile door stop, inserted 14 mm x 4 mm</p> <p>anti-dust brush inserted 4.8 mm x 13 mm</p> <p>Length: 2.7 m</p>	<p><b>Top track Blue</b></p> <p>75 mm</p> <p>Length: 1.5 m, 2.0 m, 2.5 m, 3.0 m, 4.0 m, 6.0 m</p>	<p><b>Rubber finishing profile for bottom track</b></p> <p>Length: 50.0 m</p>	<p><b>Bottom track Blue-V</b></p> <p>Option 1</p> <p>48 mm</p> <p>Length: 1.5 m, 2.0 m, 2.5 m, 3.0 m, 4.0 m, 6.0 m</p>	<p><b>Bottom track Blue-C</b></p> <p>Option 2</p> <p>42 mm</p> <p>Length: 1.5 m, 2.0 m, 2.5 m, 3.0 m, 4.0 m, 6.0 m</p>	<p><b>H28 Simple mid-rail</b></p> <p>Length: 3.0 m</p>	<p><b>H21 Simple mid-rail</b></p> <p>Length: 3.0 m</p>
<p><b>Top horizontal profile Simple Frame II</b></p> <p>Length: 1.5 m, 2.0 m, 2.5 m, 3.0 m</p>	<p><b>Bottom horizontal profile Simple Frame II</b></p> <p>Length: 1.5 m, 2.0 m, 2.5 m, 3.0 m</p>	<p><b>Guiding carriage Blue 18 Frame</b></p> <p>(Set)</p>	<p><b>Bottom carriage Simple/Blue 10V</b></p> <p>Option 1</p> <p>(Set)</p>	<p><b>Bottom carriage Blue 10C</b></p> <p>Option 2</p> <p>(Set)</p>	<p><b>Self-tapping screw Ø 6.3x45</b></p>	<p><b>Fastening wedge for glass Blue Frame/ Simple Frame</b></p> <p>Blue Frame Simple Frame</p>

Dimensions of opening



Dimensions helpful during installation of horizontal mid-rails in Blue-Frame systems

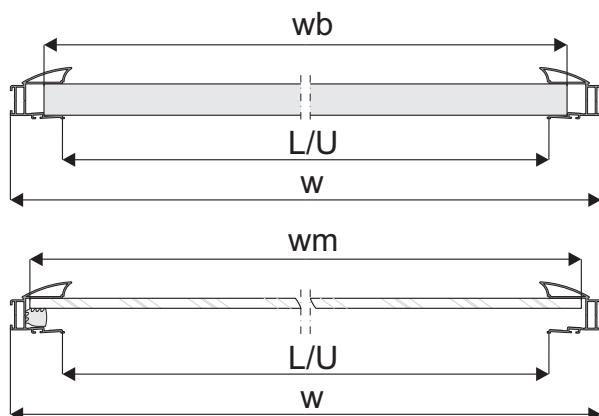


door filling – #18 mm board, #4 mm glass

door height	- h	$h = H - 35 \text{ mm}$
- without soft-close		
- with soft-close Simple MINI & Simple Central (bottom carriage <b>Blue 10V</b> )		$h = H - 39 \text{ mm}$
- with soft-close Simple MINI & Simple Central (bottom carriage <b>Blue 10C</b> )		$h = H - 42 \text{ mm}$
board height	- hb	$hb = h - 60 \text{ mm}$
door width	- w	$w = (W - 3 \text{ mm} + Z) : N$
board width	- wb	$wb = w - 37 \text{ mm}$
horizontal profile length	- L	$L = U = w - 57 \text{ mm}$
upper horizontal profile length	- U	

number of doors	- N	2	3
total overlap	- Z	34 mm	68 mm

visual design – 4 wings	
	$w = (W + 99) : 4$
	$w = (W : 2 + 31) : 2$

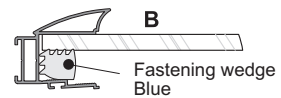
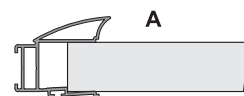


door filling – 4 mm glass or mirror

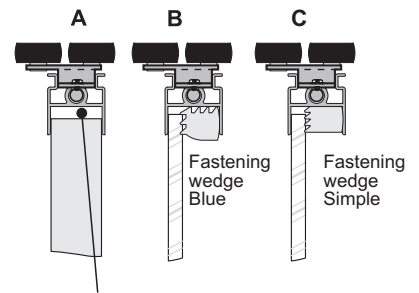
mirror height	- hm	$hm = hb$
mirror width	- wm	$wm = wb + 16 \text{ mm}$

Installation method for fitting 18 mm board (diag. A) and 4 mm mirror or glass (diag. B)

- with handle

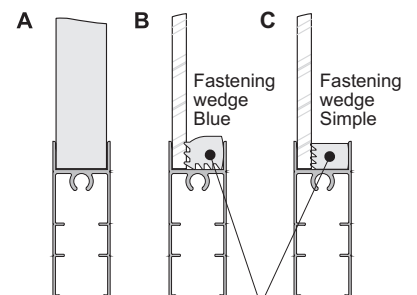


- with top horizontal profile



Expansion gap taken into account when calculating the height of chipboard

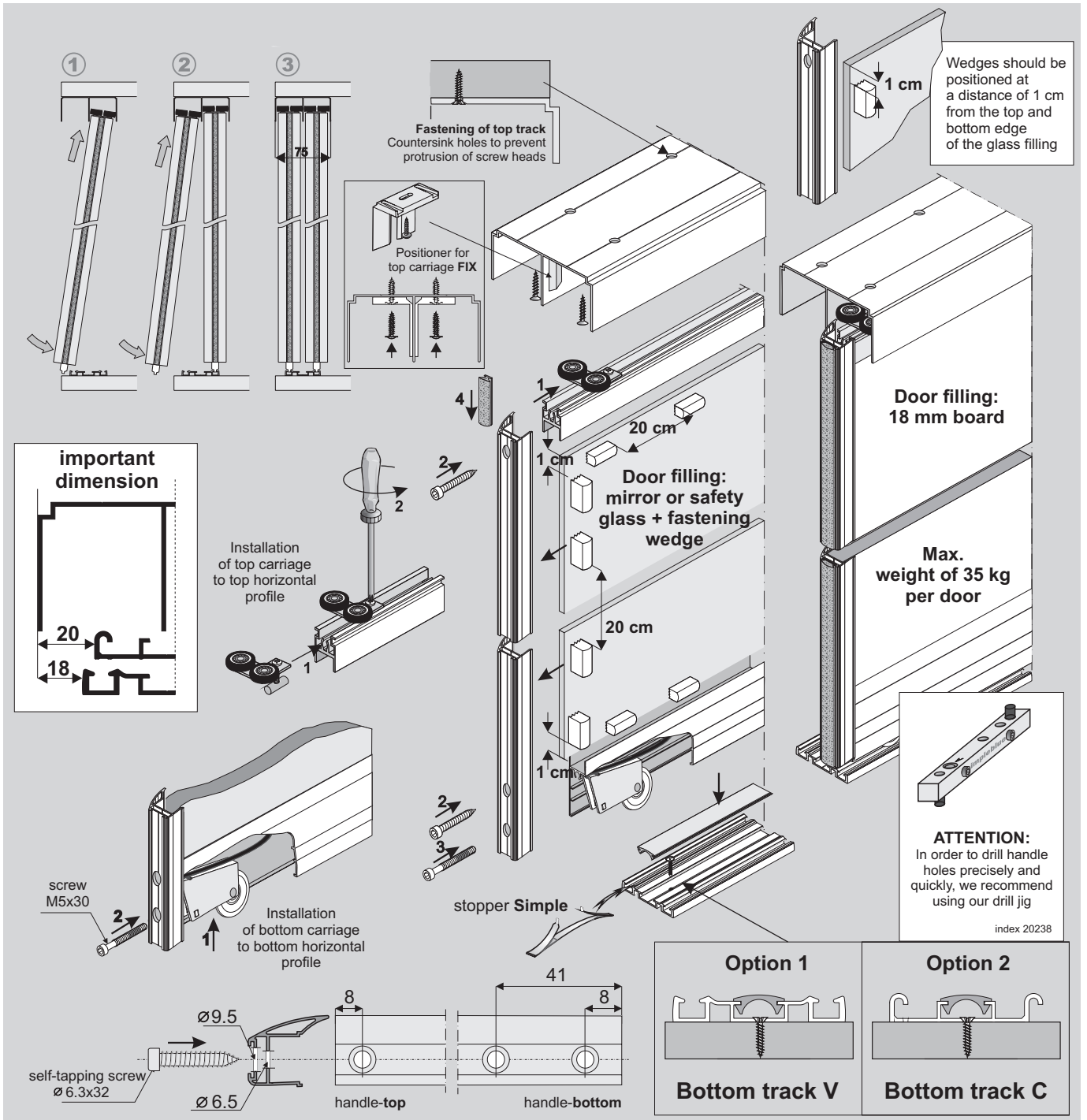
- with bottom horizontal profile



Two types of wedges can be used in the horizontal profiles: Fastening wedge **Blue** (protrudes over the profile edge) or Fastening wedge **Simple** (sits level with the profile edge)

**ATTENTION!**

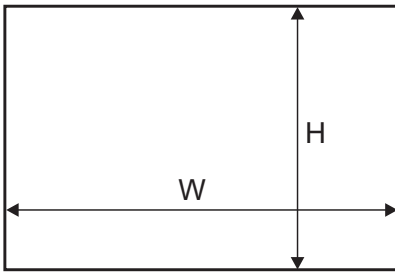
**Mirror (4mm) should be used with a safety backing film. Safety glass (4.5mm) comprises of two thin layers with a film in-between.**



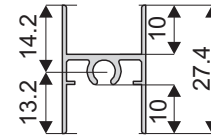
**COMPONENTS**

<p><b>Handle Libra</b></p> <p>#4 / #18</p> <p>textile door stop, inserted 14 mm x 4 mm</p> <p>anti-dust brush inserted 6.7 mm x 15 mm</p> <p>Length: 2.7 m</p>	<p><b>Top track Blue</b></p> <p>75 mm</p> <p>Length: 1.5 m, 2.0 m, 2.5 m, 3.0 m, 4.0 m, 6.0 m</p>	<p><b>Rubber finishing profile for bottom track</b></p> <p>Length: 50.0 m</p>	<p><b>Bottom track Blue-V</b></p> <p>Option 1</p> <p>48 mm</p> <p>Length: 1.5 m, 2.0 m, 2.5 m, 3.0 m, 4.0 m, 6.0 m</p>	<p><b>Bottom track Blue-C</b></p> <p>Option 2</p> <p>42 mm</p> <p>Length: 1.5 m, 2.0 m, 2.5 m, 3.0 m, 4.0 m, 6.0 m</p>	<p><b>H28 Simple mid-rail</b></p> <p>Length: 3.0 m</p>	<p><b>H21 Simple mid-rail</b></p> <p>Length: 3.0 m</p>
<p><b>Top horizontal profile Simple Frame II</b></p> <p>Length: 1.5 m, 2.0 m, 2.5 m, 3.0 m</p>	<p><b>Bottom horizontal profile Simple Frame II</b></p> <p>Length: 1.5 m, 2.0 m, 2.5 m, 3.0 m</p>	<p><b>Guiding carriage Blue 18 Frame</b></p> <p>(Set)</p>	<p><b>Bottom carriage Simple/Blue 10V</b></p> <p>Opcja 1</p> <p>(Set)</p>	<p><b>Bottom carriage Blue 10C</b></p> <p>Option 2</p> <p>(Set)</p>	<p><b>Self-tapping screw <math>\varnothing 6.3 \times 32</math></b></p>	<p><b>Fastening wedge for glass Blue Frame/ Simple Frame</b></p> <p>Blue Frame</p> <p>Simple Frame</p>

Dimensions of opening



Dimensions helpful during installation of horizontal mid-rails in Blue-Frame systems

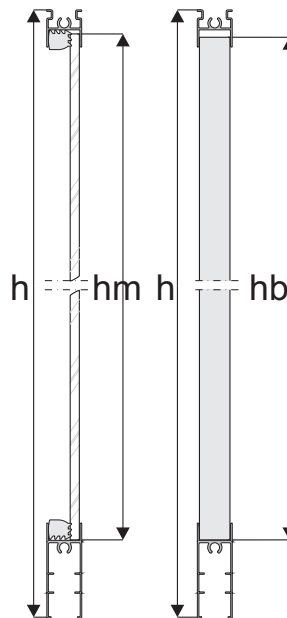
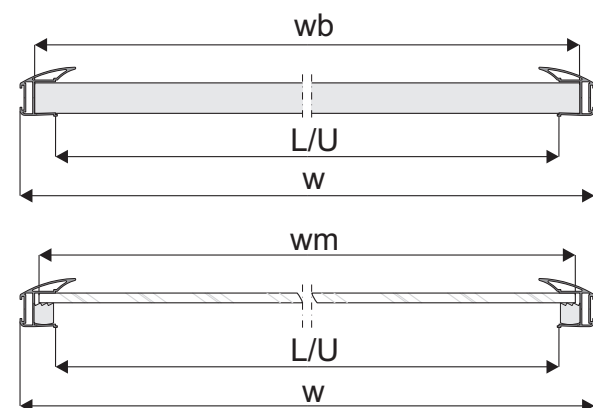


door filling – #18 mm board, #4 mm glass

door height	- h	
- without soft-close		$h = H - 35 \text{ mm}$
- with soft-close Simple MINI & Simple Central (bottom carriage <b>Blue 10V</b> )		$h = H - 39 \text{ mm}$
- with soft-close Simple MINI & Simple Central (bottom carriage <b>Blue 10C</b> )		$h = H - 42 \text{ mm}$
board height	- hb	$hb = h - 60 \text{ mm}$
door width	- w	$w = (W - 3 \text{ mm} + Z) : N$
board width	- wb	$wb = w - 17 \text{ mm}$
horizontal profile length	- L	$L = U = w - 40.4 \text{ mm}$
upper horizontal profile length	- U	

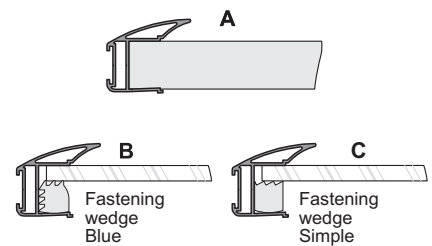
number of doors	- N	2	3
total overlap	- Z	32 mm	64 mm

visual design – 4 wings	
	$w = (W + 93) : 4$
	$w = (W : 2 + 29) : 2$

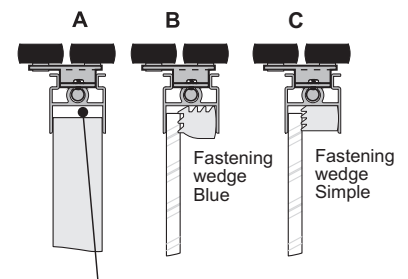


Installation method for fitting 18 mm board (diag. A) and 4 mm mirror or glass (diag. B)

- with handle

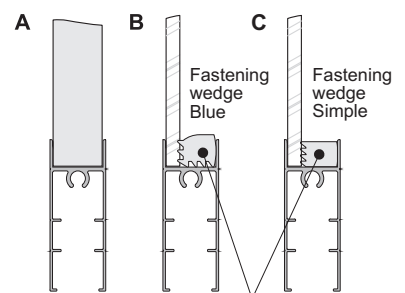


- with top horizontal profile



Expansion gap taken into account when calculating the height of chipboard

- with bottom horizontal profile



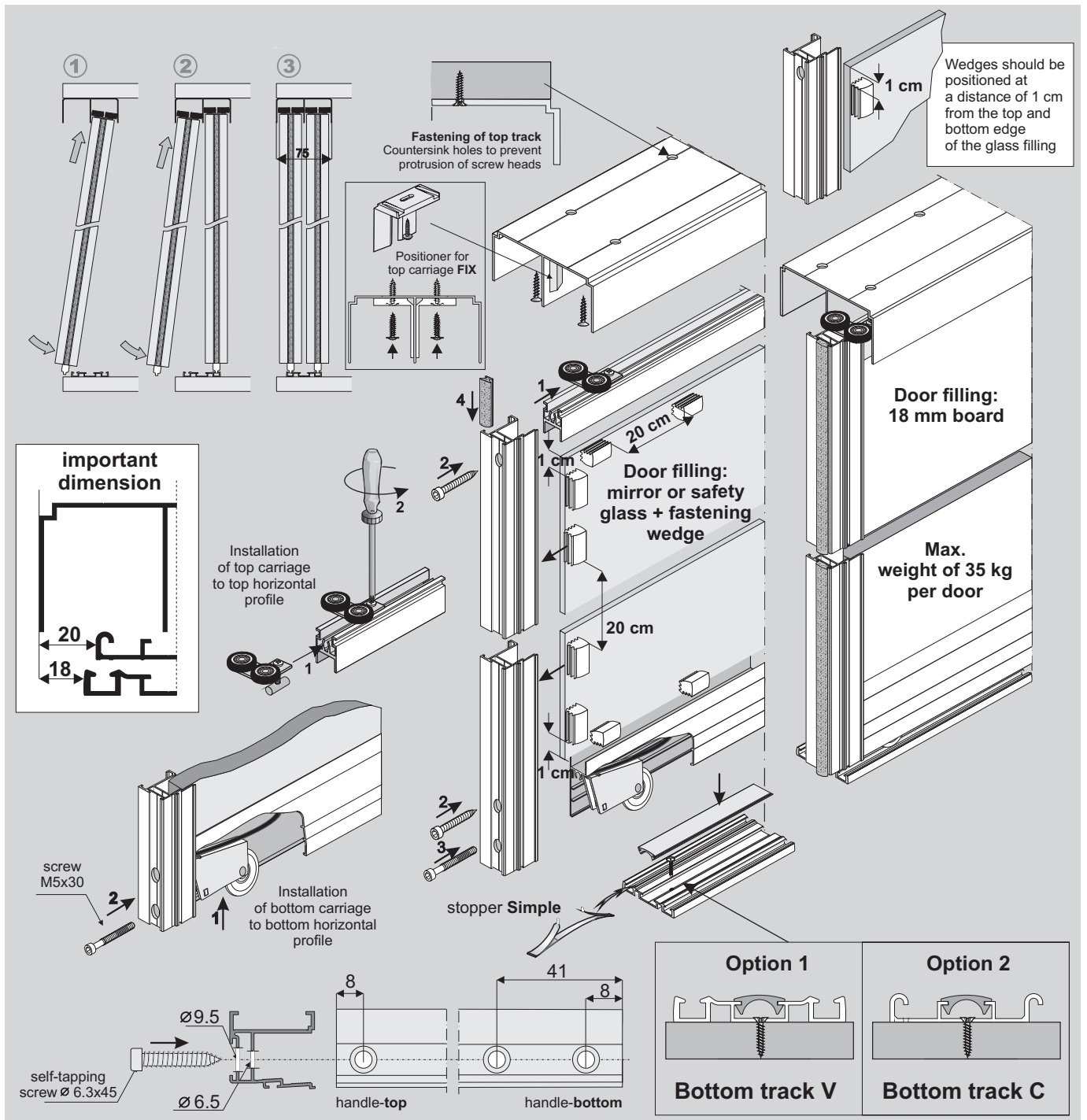
Two types of wedges can be used in the horizontal profiles: Fastening wedge **Blue** (protrudes over the profile edge) or Fastening wedge **Simple** (sits level with the profile edge)

door filling – 4 mm glass or mirror

mirror height	- hm	$hm = hb$
mirror width	- wm	$wm = wb - 4 \text{ mm}$

**ATTENTION!**

**Mirror (4mm) should be used with a safety backing film. Safety glass (4.5mm) comprises of two thin layers with a film in-between.**

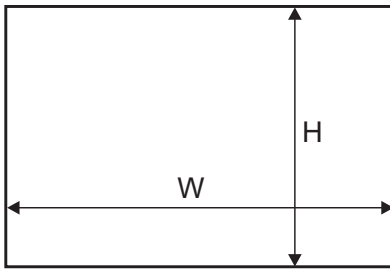


**COMPONENTS**

<p><b>Handle Rekord</b></p> <p>#4 / #18</p> <p>textile door stop, inserted 14 mm x 4 mm</p> <p>anti-dust brush inserted 4.8 mm x 13 mm</p> <p>Length: 2.7 m</p>	<p><b>Top track Blue</b></p> <p>75 mm</p> <p>Length: 1.5 m, 2.0 m, 2.5 m, 3.0 m, 4.0 m, 6.0 m</p>	<p><b>Rubber finishing profile for bottom track</b></p> <p>Length: 50.0 m</p>	<p><b>Bottom track Blue-V</b></p> <p>Option 1</p> <p>48 mm</p> <p>Length: 1.5 m, 2.0 m, 2.5 m, 3.0 m, 4.0 m, 6.0 m</p>	<p><b>Bottom track Blue-C</b></p> <p>Option 2</p> <p>42 mm</p> <p>Length: 1.5 m, 2.0 m, 2.5 m, 3.0 m, 4.0 m, 6.0 m</p>	<p><b>H28 Simple mid-rail</b></p> <p>Length: 3.0 m</p>	<p><b>H21 Simple mid-rail</b></p> <p>Length: 3.0 m</p>
<p><b>Top horizontal profile Simple Frame II</b></p> <p>Length: 1.5 m, 2.0 m, 2.5 m, 3.0 m</p>	<p><b>Bottom horizontal profile Simple Frame II</b></p> <p>Length: 1.5 m, 2.0 m, 2.5 m, 3.0 m</p>	<p><b>Guiding carriage Blue 18 Frame</b></p> <p>(Set)</p>	<p><b>Bottom carriage Simple/Blue 10V</b></p> <p>Option 1</p> <p>(Set)</p>	<p><b>Bottom carriage Blue 10C</b></p> <p>Otion 2</p> <p>(Set)</p>	<p><b>Self-tapping screw Ø 6.3x45</b></p>	<p><b>Fastening wedge for glass Blue Frame/ Simple Frame</b></p> <p>Blue Frame Simple Frame</p>



Dimensions of opening

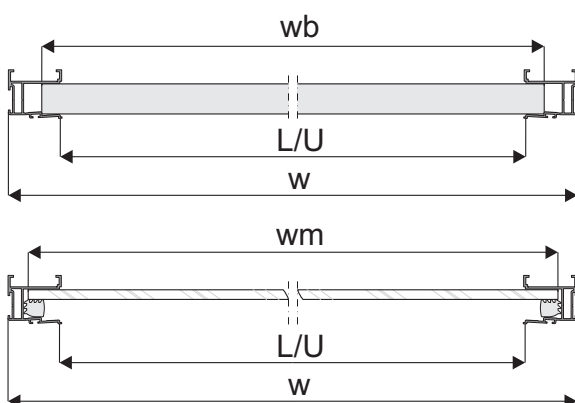


door filling – #18 mm board, #4 mm glass

door height	- h	$h = H - 35 \text{ mm}$
- without soft-close		
- with soft-close Simple MINI & Simple Central (bottom carriage <b>Blue 10V</b> )		$h = H - 39 \text{ mm}$
- with soft-close Simple MINI & Simple Central (bottom carriage <b>Blue 10C</b> )		$h = H - 42 \text{ mm}$
board height	- hb	$hb = h - 60 \text{ mm}$
door width	- w	$w = (W - 3 \text{ mm} + Z) : N$
board width	- wb	$wb = w - 37 \text{ mm}$
horizontal profile length	- L	$L = U = w - 57 \text{ mm}$
upper horizontal profile length	- U	

number of doors	- N	2	3
total overlap	- Z	30 mm	60 mm

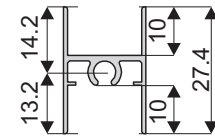
visual design – 4 wings	
	$w = (W + 87) : 4$
	$w = (W : 2 + 27) : 2$



door filling – 4 mm glass or mirror

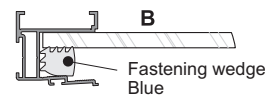
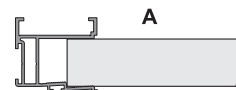
mirror height	- hm	$hm = hb$
mirror width	- wm	$wm = wb + 16 \text{ mm}$

Dimensions helpful during installation of horizontal mid-rails in Blue-Frame systems

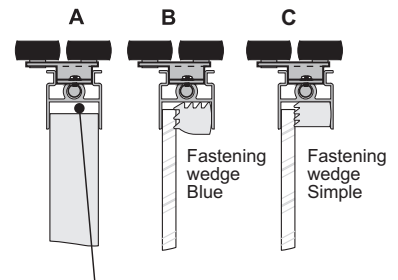


Installation method for fitting 18 mm board (diag. A) and 4 mm mirror or glass (diag. B)

- with handle

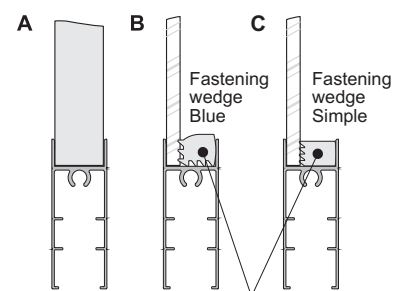


- with top horizontal profile



Expansion gap taken into account when calculating the height of chipboard

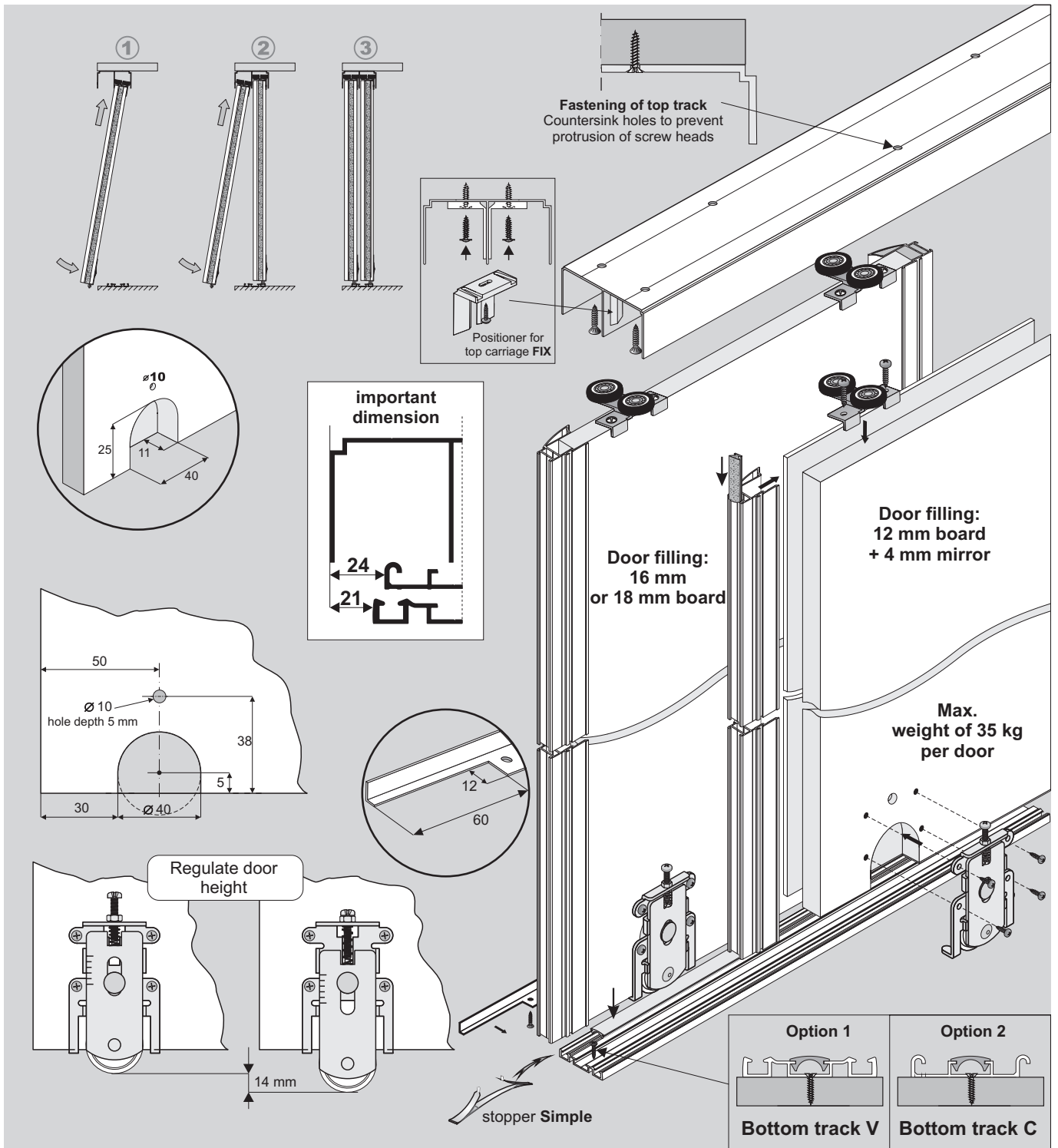
- with bottom horizontal profile



Two types of wedges can be used in the horizontal profiles: Fastening wedge **Blue** (protrudes over the profile edge) or Fastening wedge **Simple** (sits level with the profile edge)

**ATTENTION!**

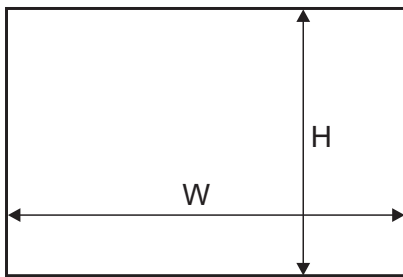
**Mirror (4mm) should be used with a safety backing film. Safety glass (4.5mm) comprises of two thin layers with a film in-between.**



**COMPONENTS**

<p><b>Handle Era</b></p> <p>#16 / #18</p> <p>textile door stop, inserted 14 mm x 4 mm</p> <p>anti-dust brush, inserted 4.8 mm x 13 mm</p>	<p><b>Top track Blue</b></p> <p>75 mm</p>	<p><b>Bottom track Blue-V</b></p> <p>Option 1</p> <p>48 mm</p>	<p><b>Bottom track Blue-C</b></p> <p>Option 2</p> <p>42 mm</p>	<p><b>Rubber finishing profile for bottom track</b></p>
<p>Length: 2.7 m</p>	<p>Length: 1.5 m, 2.0 m, 2.5 m, 3.0 m, 4.0 m, 6.0 m</p>	<p>Length: 1.5 m, 2.0 m, 2.5 m, 3.0 m, 4.0 m, 6.0 m</p>	<p>Length: 1.5 m, 2.0 m, 2.5 m, 3.0 m, 4.0 m, 6.0 m</p>	<p>Length: 50.0 m</p>
<p><b>Angle section Mini</b></p> <p>11 mm x 17 mm</p>	<p><b>Guiding carriage Blue 18 Board asymmetrical</b></p> <p>(Set)</p>	<p><b>Bottom carriage Blue 18V Board</b></p> <p>Option 1</p> <p>(Set)</p>	<p><b>Bottom carriage Blue 18C Board</b></p> <p>Option 2</p> <p>(Set)</p>	
<p>Length: 1.7 m, 2.35 m, 3.0 m</p>				

Dimensions of opening



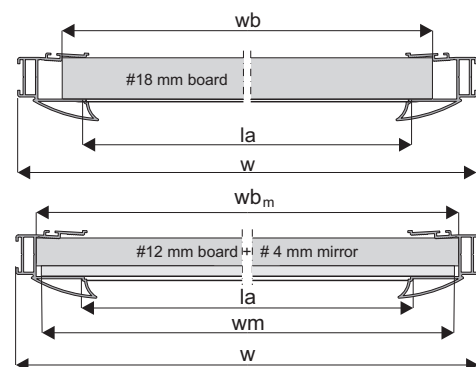
handle length = door height

**door filling** – #18 mm board, #16 mm, #12 mm + mirror

door height - without soft-close - with soft-close Simple MINI and Simple CENTRAL	- h	$h = H - 40 \text{ mm}$ $h = H - 45 \text{ mm}$
board height	- hb	$hb = h - 1 \text{ mm}$
door width	- w	$w = (W - 3 + Z) : N$
board width #18	- wb	$wb = w - 37 \text{ mm}$
board width #12/#16	- wb	$wb = w - 17 \text{ mm}$
angle section length	- la	$la = w - 57 \text{ mm}$

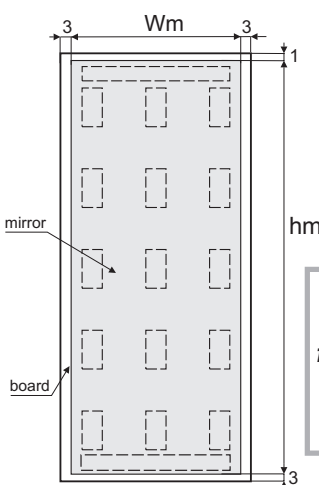
number of doors	- N	2	3
total overlap	- Z	34 mm	68 mm

visual design - 4 wings	
	$w = (W + 99) : 4$
	$w = (W : 2 + 31) : 2$



mirror dimensions

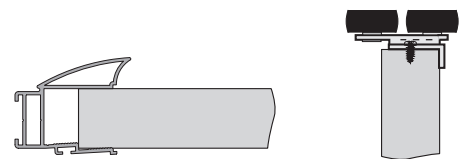
mirror height - hm	$hm = hb - 4 \text{ mm}$
mirror width - wm	$wm = wb_m - 6 \text{ mm}$



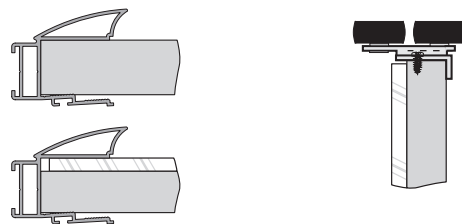
Broken line indicates recommended positioning of double-sided tape

- When fitting handle profiles, do not use assembly adhesive

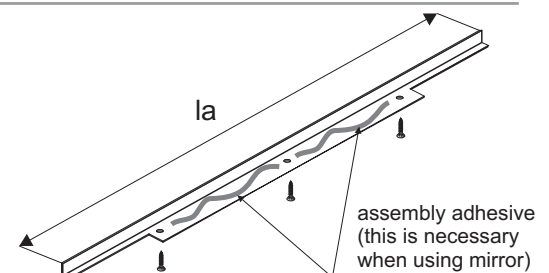
Installation method for handle and guiding carriage with #18 mm board



Installation method for handle and guiding carriage with #16 mm board or #12 mm board + #4 mm mirror



Installation method for angle section 11 mm x 17 mm

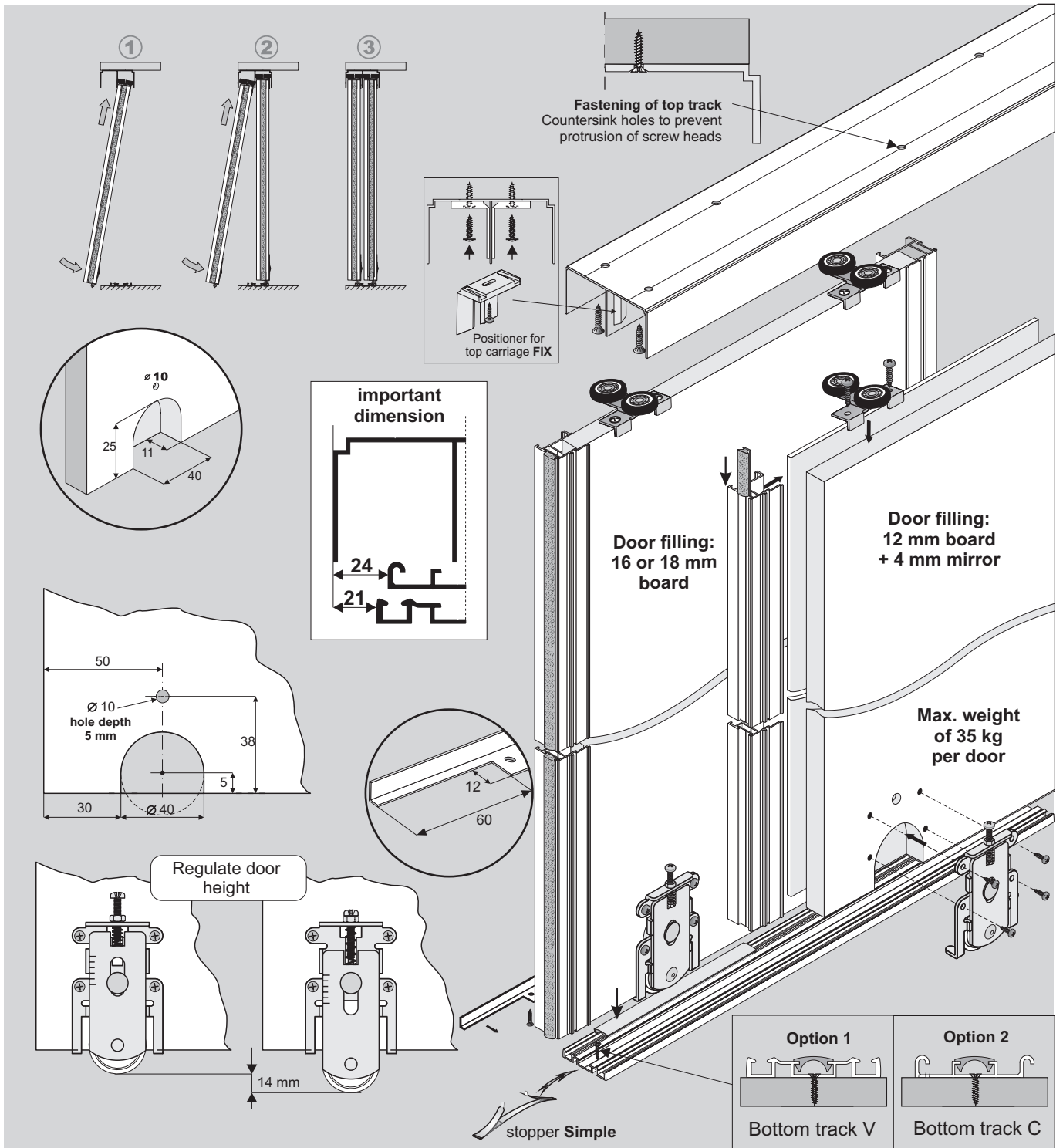


**WARNING**

We do not bear any responsibility for deformation resulting from the application of improper quality of boards (improper storage, improper humidity).

**ATTENTION:**

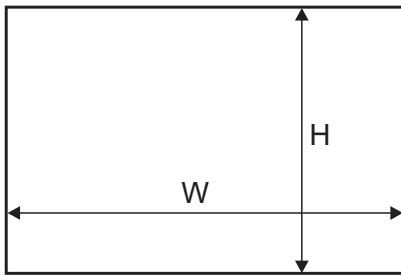
Board to mirror contact area should be free from dirt and grease before applying double-sided tape.



**COMPONENTS**

<p><b>Handle Rekord</b> #16 / #18 textile door stop, inserted 14 mm x 4 mm anti-dust brush, inserted 4.8 mm x 13 mm</p> <p>Length: 2.7 m</p>	<p><b>Top track Blue</b></p> <p>Length: 1.5 m, 2.0 m, 2.5 m, 3.0 m, 4.0 m, 6.0 m</p>	<p><b>Bottom track Blue-V</b> Option 1</p> <p>Length: 1.5 m, 2.0 m, 2.5 m, 3.0 m, 4.0 m, 6.0 m</p>	<p><b>Bottom track Blue-C</b> Option 2</p> <p>Length: 1.5 m, 2.0 m, 2.5 m, 3.0 m, 4.0 m, 6.0 m</p>	<p><b>Rubber finishing profile for bottom track</b></p> <p>Length: 50.0 m</p>
<p><b>Angle section Mini</b></p> <p>11 mm x 17 mm</p> <p>Length: 1.7 m, 2.35 m, 3.0 m</p>	<p><b>Guiding carriage Blue 18 Board asymmetrical</b></p> <p>(Set)</p>	<p><b>Bottom carriage Blue 18V Board</b> Option 1</p> <p>(Set)</p>	<p><b>Bottom carriage Blue 18C Board</b> Option 2</p> <p>(Set)</p>	

Dimensions of opening



handle length = door height

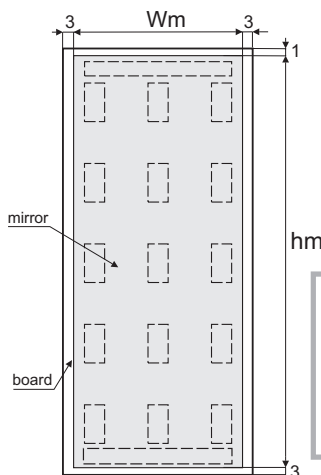
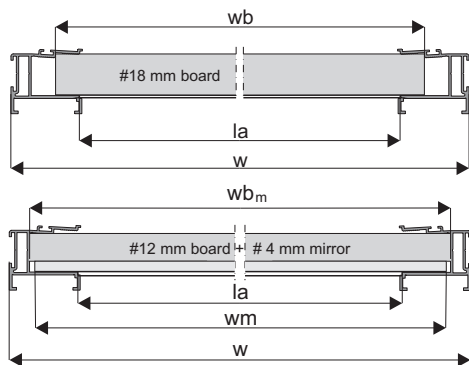
- When fitting handle profiles, do not use assembly adhesive

**door filling** – #18 mm board, #16 mm, #12 mm + mirror

door height - without soft-close - with soft-close Simple MINI and Simple CENTRAL	- h	$h = H - 40 \text{ mm}$ $h = H - 45 \text{ mm}$
board height	- hb	$hb = h - 1 \text{ mm}$
door width	- w	$w = (W - 3 + Z) : N$
board width #18	- wb	$wb = w - 37 \text{ mm}$
board width #12/#16	- wb	$wb = w - 17 \text{ mm}$
angle section length	- la	$la = w - 57 \text{ mm}$

number of doors	- N	2	3
total overlap	- Z	30 mm	60 mm

visual design – 4 wings	
	$w = (W + 87) : 4$
	$w = (W : 2 + 27) : 2$

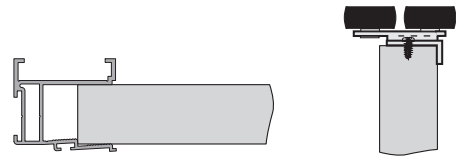


mirror dimensions

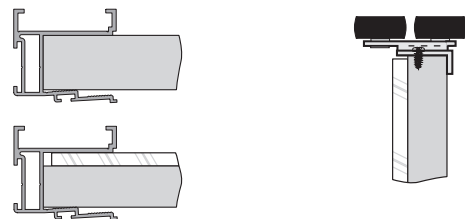
mirror height - hm = hb - 4 mm
mirror width - wm = wb <sub>m</sub> - 6 mm

Broken line indicates recommended positioning of double-sided tape

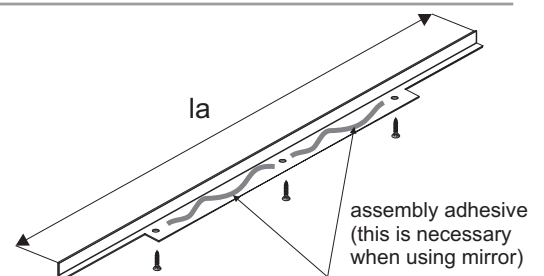
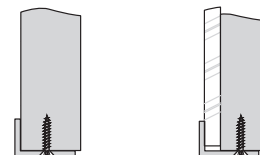
Installation method for handle and guiding carriage with #18 mm board



Installation method for handle and guiding carriage with #16 mm board or #12 mm board + #4 mm mirror



Installation method for angle section 11 mm x 17 mm

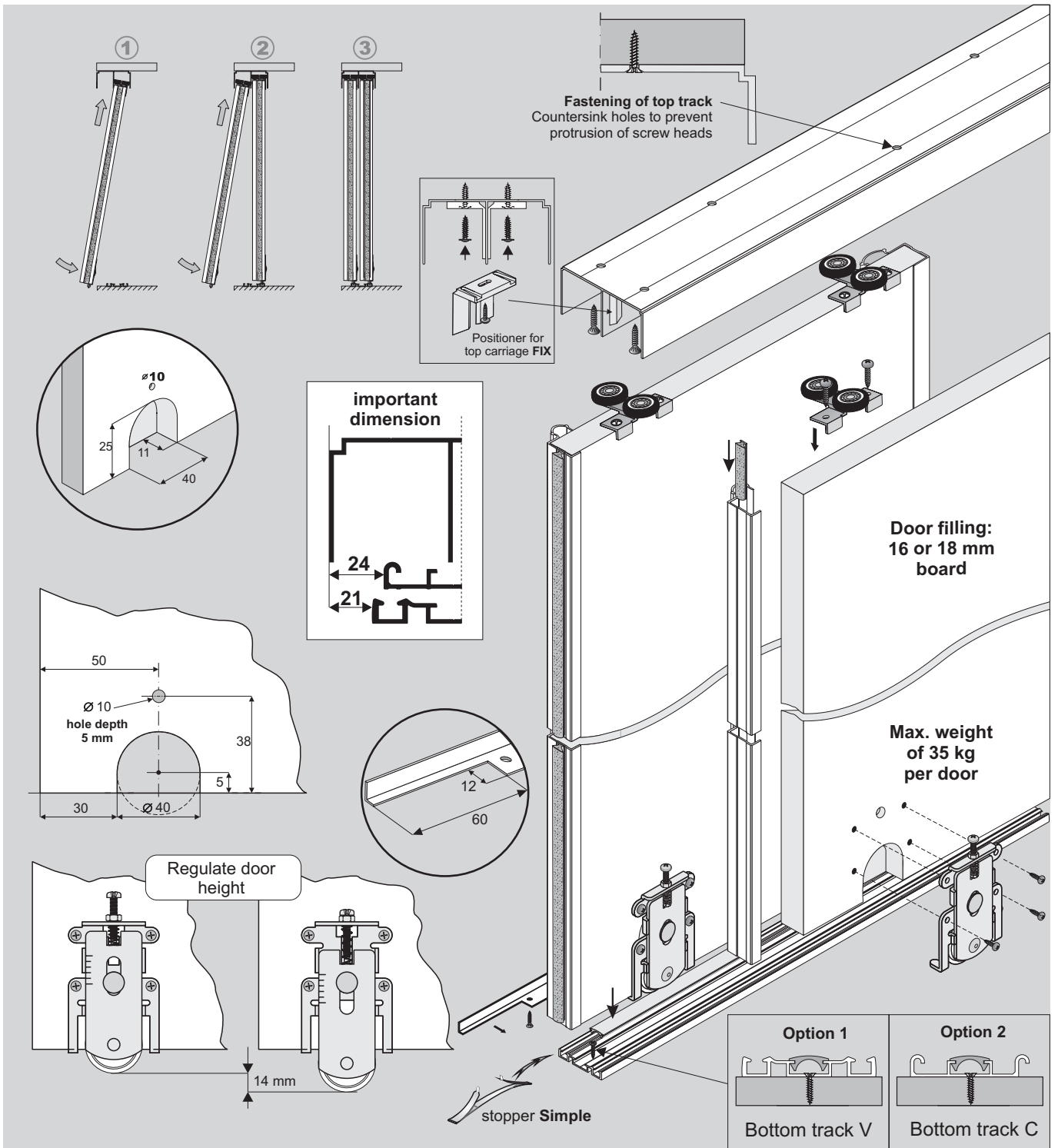


**WARNING**

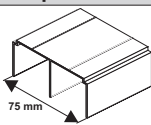
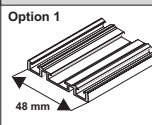
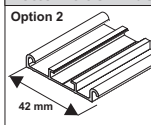
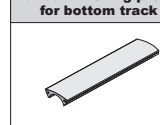
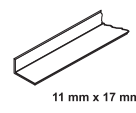
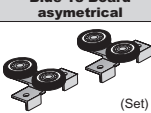
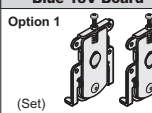
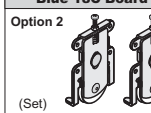
*We do not bear any responsibility for deformation resulting from the application of improper quality of boards (improper storage, improper humidity).*

**ATTENTION:**

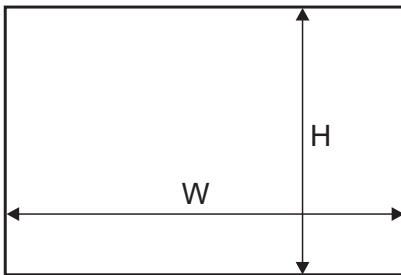
Board to mirror contact area should be free from dirt and grease before applying double-sided tape.



**COMPONENTS**

<p><b>Handle Fiesta-Decor C</b></p> <p>textile door stop, self-adhesive 4.8 mm x 4 mm</p> <p>anti-dust brush, self-adhesive 6.7 mm x 13 mm</p> <p>#16 &amp; #18</p> <p>Length: 2.4 m, 2.7 m</p>	<p><b>Top track Blue</b></p>  <p>75 mm</p> <p>Length: 1.5 m, 2.0 m, 2.5 m, 3.0 m, 4.0 m, 6.0 m</p>	<p><b>Bottom track Blue-V</b></p> <p>Option 1</p>  <p>48 mm</p> <p>Length: 1.5 m, 2.0 m, 2.5 m, 3.0 m, 4.0 m, 6.0 m</p>	<p><b>Bottom track Blue-C</b></p> <p>Option 2</p>  <p>42 mm</p> <p>Length: 1.5 m, 2.0 m, 2.5 m, 3.0 m, 4.0 m, 6.0 m</p>	<p><b>Rubber finishing profile for bottom track</b></p>  <p>Length: 50.0 m</p>
<p><b>Angle section Mini</b></p>  <p>11 mm x 17 mm</p> <p>Length: 1.7 m, 2.35 m, 3.0 m</p>	<p><b>Guiding carriage Blue 18 Board asymetrical</b></p>  <p>(Set)</p>	<p><b>Bottom carriage Blue 18V Board</b></p> <p>Option 1</p>  <p>(Set)</p>	<p><b>Bottom carriage Blue 18C Board</b></p> <p>Option 2</p>  <p>(Set)</p>	

Dimensions of opening



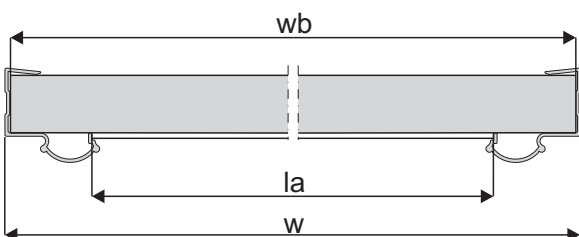
handle length = door height

**door filling** – #16 or #18 mm board

door height - without soft-close - with soft-close Simple MINI & Simple CENTRAL	- h	$h = H - 40 \text{ mm}$ $h = H - 45 \text{ mm}$
board height	- hb	$hb = h - 1 \text{ mm}$
door width	- w	$w = (W - 3 + Z) : N$
board width	- wb	$wb = w - 3 \text{ mm}$
angle section length	- la	$la = w - 52 \text{ mm}$

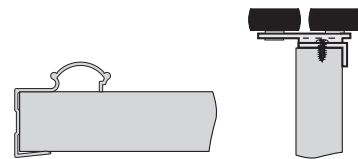
number of doors	- N	2	3
total overlap	- Z	29 mm	58 mm

visual design – 4 wings	
	$w = (W + 84) : 4$
	$w = (W : 2 + 26) : 2$

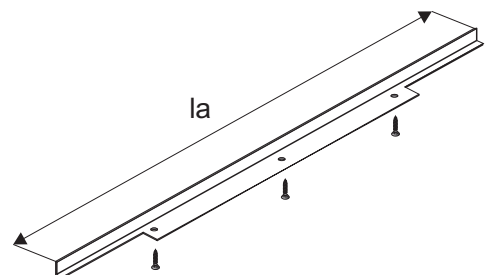


- When fitting handle profiles, do not use assembly adhesive

Installation method for handle and guiding carriage with #16 or #18 mm board

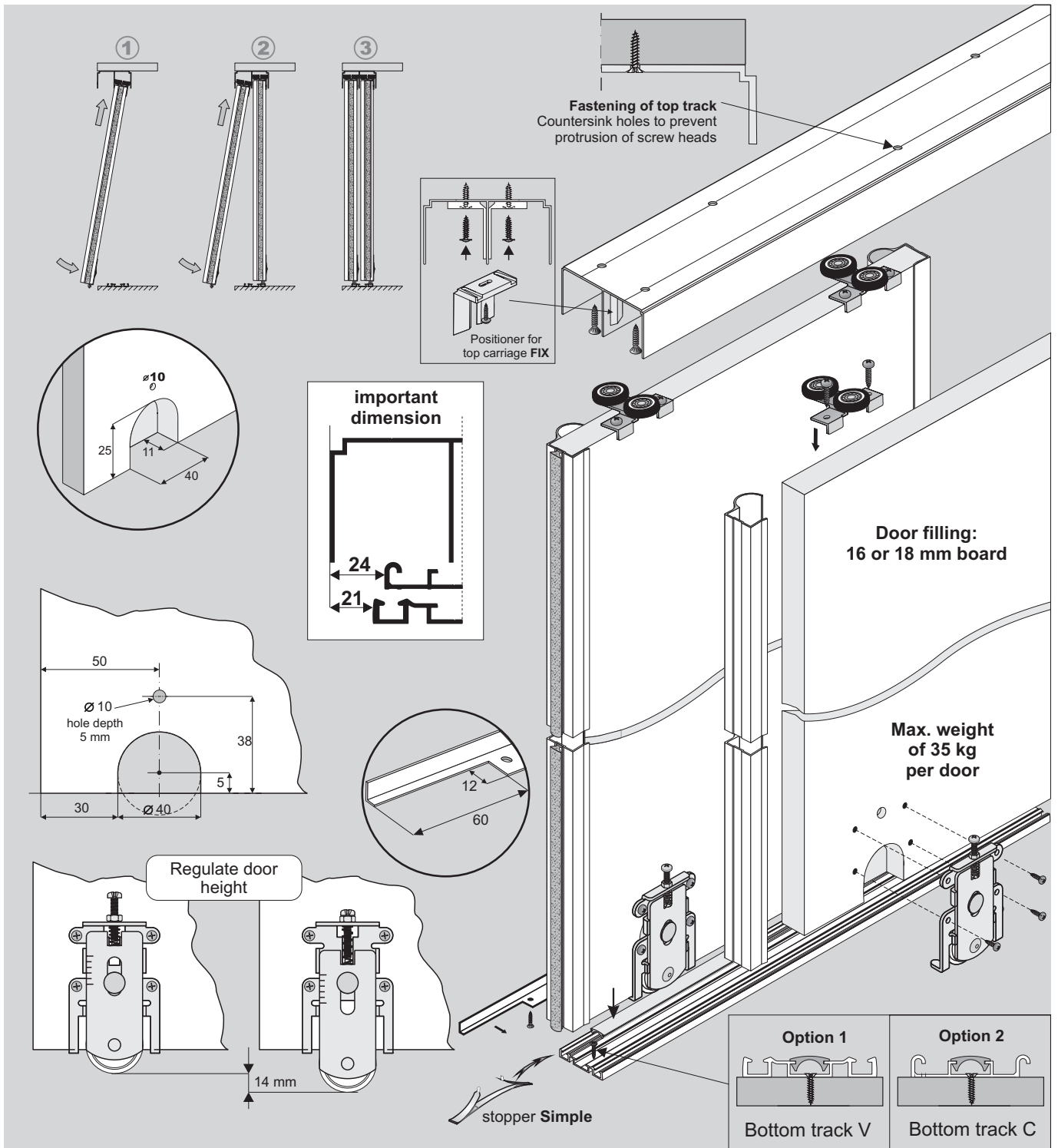


Installation method for angle section 11 mm x 17 mm



**WARNING**

*We do not bear any responsibility for deformation resulting from the application of improper quality of boards (improper storage, improper humidity).*

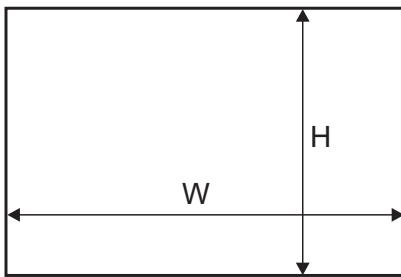


**COMPONENTS**

<p><b>Handle Focus</b></p> <p>textile door stop, self-adhesive 4.8 mm x 4 mm</p> <p>anti-dust brush, self-adhesive 6.7 mm x 13 mm #16 i #18</p> <p>Length: 1.5 m, 2.0 m, 2.5 m, 3.0 m, 4.0 m, 6.0 m</p>	<p><b>Top track Blue</b></p> <p>75 mm</p> <p>Length: 1.5 m, 2.0 m, 2.5 m, 3.0 m, 4.0 m, 6.0 m</p>	<p><b>Bottom track Blue-V</b></p> <p>Option 1</p> <p>48 mm</p> <p>Length: 1.5 m, 2.0 m, 2.5 m, 3.0 m, 4.0 m, 6.0 m</p>	<p><b>Bottom track Blue-C</b></p> <p>Option 2</p> <p>42 mm</p> <p>Length: 1.5 m, 2.0 m, 2.5 m, 3.0 m, 4.0 m, 6.0 m</p>	<p><b>Rubber finishing profile for bottom track</b></p> <p>Length: 50.0 m</p>
<p><b>Angle section Mini</b></p> <p>11 mm x 17 mm</p> <p>Length: 1.7 m, 2.35 m, 3.0 m</p>	<p><b>Guiding carriage Blue 18 Board asymetrical</b></p> <p>(Set)</p>	<p><b>Bottom carriage Blue 18V Board</b></p> <p>Option 1</p> <p>(Set)</p>	<p><b>Bottom carriage Blue 18C Board</b></p> <p>Option 2</p> <p>(Set)</p>	



Dimensions of opening



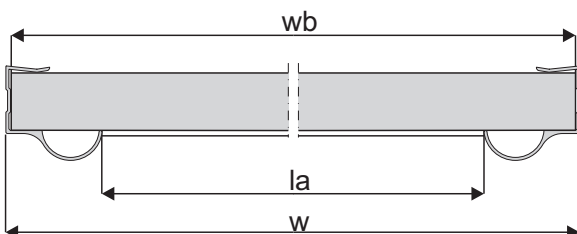
handle length = door height

**door filling** – #16 or #18 mm board

door height - without soft-close - with soft-close Simple MINI and Simple CENTRAL	- h	$h = H - 40 \text{ mm}$ $h = H - 45 \text{ mm}$
board height	- hb	$hb = h - 1 \text{ mm}$
door width	- w	$w = (W - 3 + Z) : N$
board width	- wb	$wb = w - 3 \text{ mm}$
angle section length	- la	$la = w - 58 \text{ mm}$

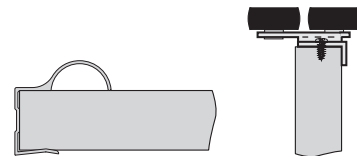
number of doors	- N	2	3
total overlap	- Z	29 mm	58 mm

visual design – 4 wings	
	$w = (W + 84) : 4$
	$w = (W : 2 + 26) : 2$

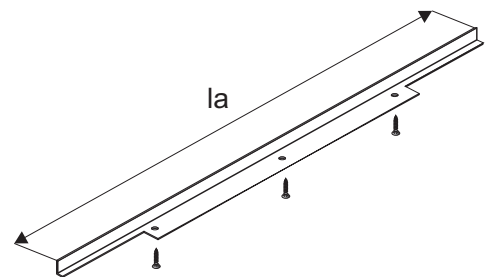


- When fitting handle profiles, do not use assembly adhesive

Installation method for handle and guiding carriage with #16 or #18 mm board

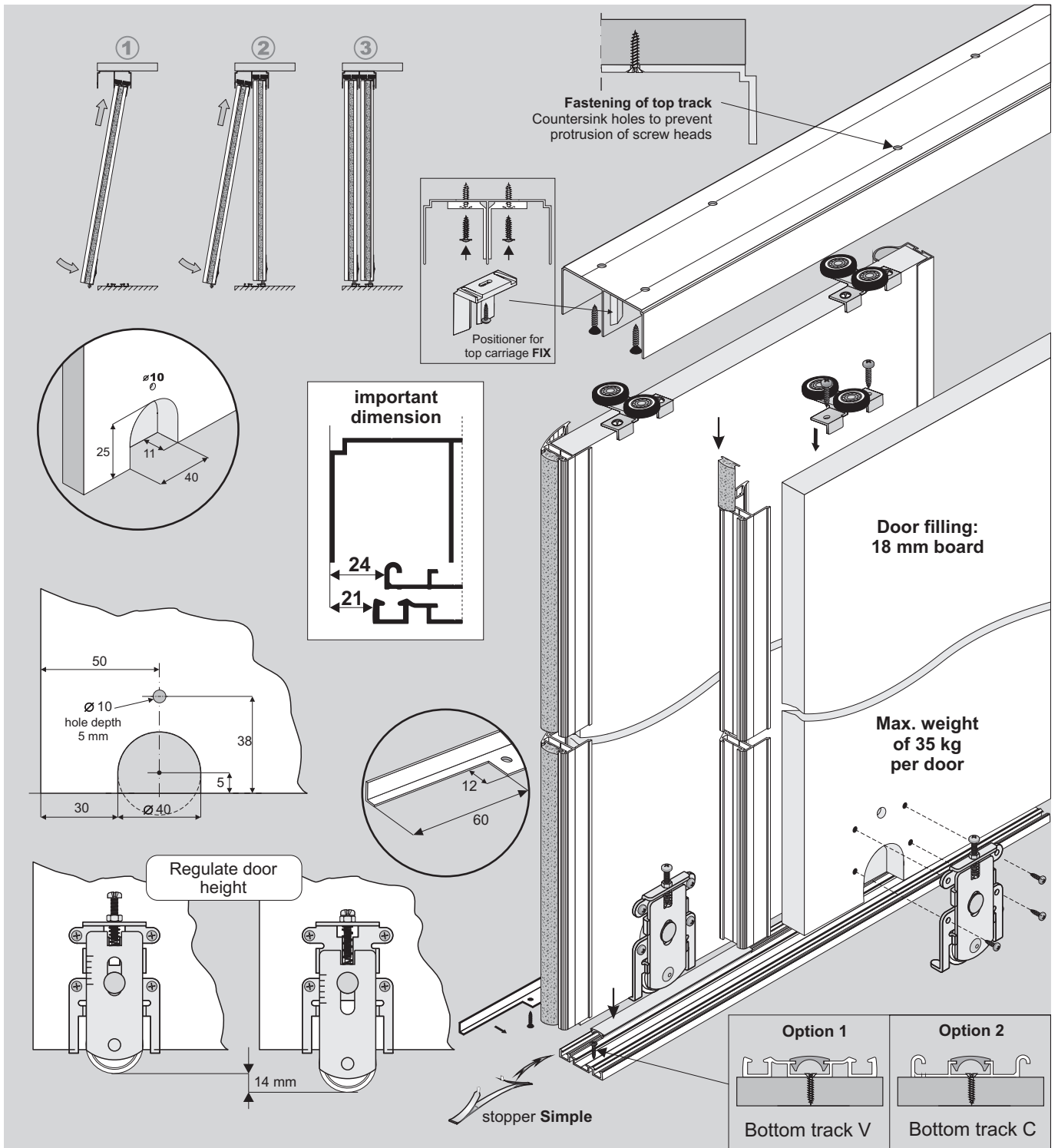


Installation method for angle section 11 mm x 17 mm



**WARNING**

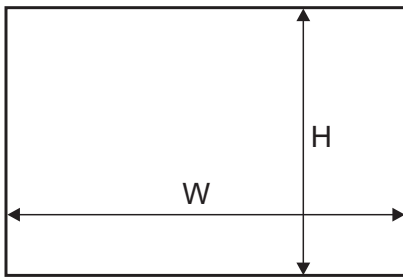
We do not bear any responsibility for deformation resulting from the application of improper quality of boards (improper storage, improper humidity).



**COMPONENTS**

<p><b>Handle Libra</b></p> <p>textile door stop, inserted 14 mm x 4 mm</p> <p>anti-dust brush, self-adhesive 6.7 mm x 13 mm #18</p> <p>Length: 1.5 m, 2.0 m, 2.5 m, 3.0 m, 4.0 m, 6.0 m</p>	<p><b>Top track Blue</b></p> <p>75 mm</p> <p>Length: 1.5 m, 2.0 m, 2.5 m, 3.0 m, 4.0 m, 6.0 m</p>	<p><b>Bottom track Blue-V</b></p> <p>Option 1</p> <p>48 mm</p> <p>Length: 1.5 m, 2.0 m, 2.5 m, 3.0 m, 4.0 m, 6.0 m</p>	<p><b>Bottom track Blue-C</b></p> <p>Opcja 2</p> <p>42 mm</p> <p>Length: 1.5 m, 2.0 m, 2.5 m, 3.0 m, 4.0 m, 6.0 m</p>	<p><b>Rubber finishing profile for bottom track</b></p> <p>Length: 50.0 m</p>
<p><b>Angle section Mini</b></p> <p>11 mm x 17 mm</p> <p>Length: 1.7 m, 2.35 m, 3.0 m</p>	<p><b>Guiding carriage Blue 18 Board asymetrical</b></p> <p>(Set)</p>	<p><b>Bottom carriage Blue 18V Board</b></p> <p>Option 1</p> <p>(Set)</p>	<p><b>Bottom carriage Blue 18C Board</b></p> <p>Option 2</p> <p>(Set)</p>	

Dimensions of opening



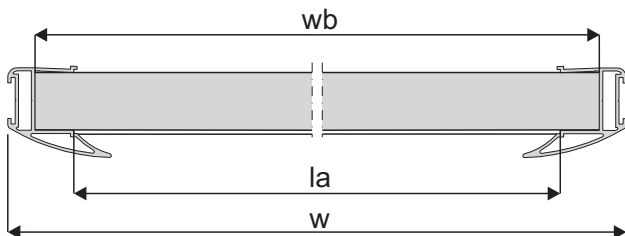
handle length = door height

door filling – #18 mm board

door height - without soft-close - with soft-close Simple MINI and Simple CENTRAL	- h	$h = H - 40 \text{ mm}$ $h = H - 45 \text{ mm}$
board height	- hb	$hb = h - 1 \text{ mm}$
door width	- w	$w = (W - 3 + Z) : N$
board width	- wb	$wb = w - 17 \text{ mm}$
angle section length	- la	$la = w - 41 \text{ mm}$

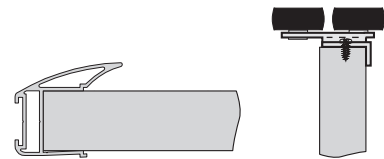
number of doors	- N	2	3
total overlap	- Z	32 mm	64 mm

visual design – 4 wings	
	$w = (W + 93) : 4$
	$w = (W : 2 + 29) : 2$

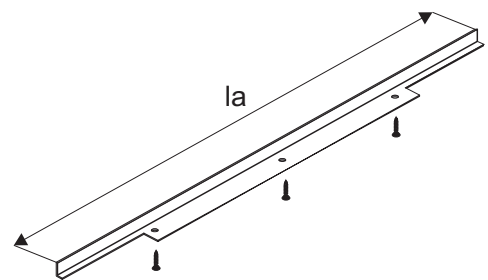


- When fitting handle profiles, do not use assembly adhesive

Installation method for handle and guiding carriage #18 mm board

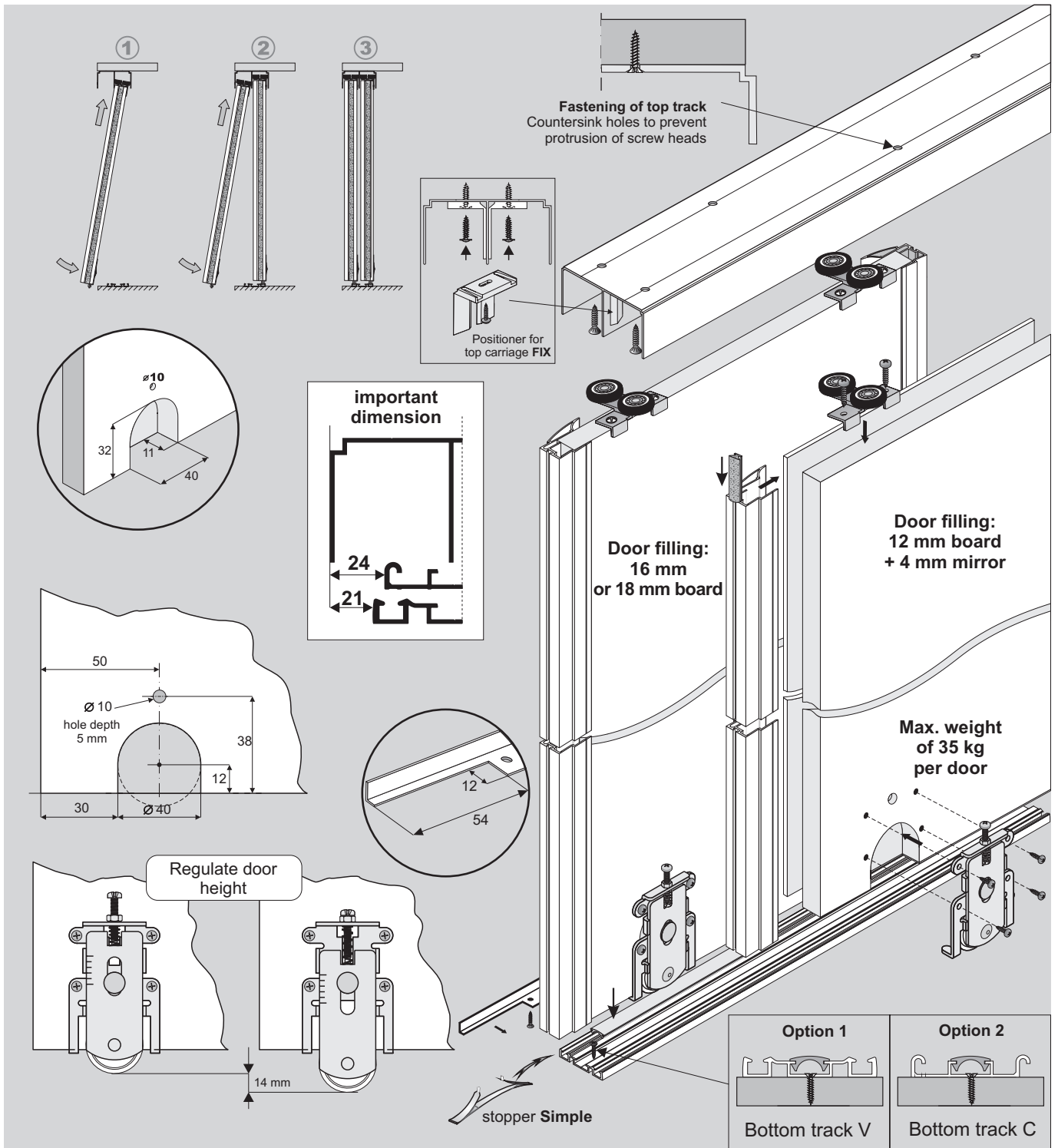


Installation method for angle section 11 mm x 17 mm



**WARNING**

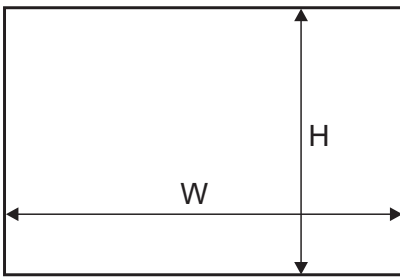
We do not bear any responsibility for deformation resulting from the application of improper quality of boards (improper storage, improper humidity).



**COMPONENTS**

<p><b>Handle Trio</b></p> <p>#16 / #18 textile door stop, inserted 4.8 mm x 4 mm anti-dust brush, self-adhesive 6.7 mm x 13 mm</p> <p>Length: 2.7 m</p>	<p><b>Top track Blue</b></p> <p>75 mm</p> <p>Length: 1.5 m, 2.0 m, 2.5 m, 3.0 m, 4.0 m, 6.0 m</p>	<p><b>Bottom track Blue-V</b></p> <p>Option 1</p> <p>48 mm</p> <p>Length: 1.5 m, 2.0 m, 2.5 m, 3.0 m, 4.0 m, 6.0 m</p>	<p><b>Bottom track Blue-C</b></p> <p>Option 2</p> <p>42 mm</p> <p>Length: 1.5 m, 2.0 m, 2.5 m, 3.0 m, 4.0 m, 6.0 m</p>	<p><b>Rubber finishing profile for bottom track</b></p> <p>Length: 50.0 m</p>
<p><b>Angle section Mini</b></p> <p>11 mm x 17 mm</p> <p>Length: 1.7 m, 2.35 m, 3.0 m</p>	<p><b>Guiding carriage Blue 18 Board asymmetrical</b></p> <p>(Set)</p>	<p><b>Bottom carriage Blue 18V Board</b></p> <p>Option 1</p> <p>(Set)</p>	<p><b>Bottom carriage Blue 18C Board</b></p> <p>Option 2</p> <p>(Set)</p>	

Dimensions of opening



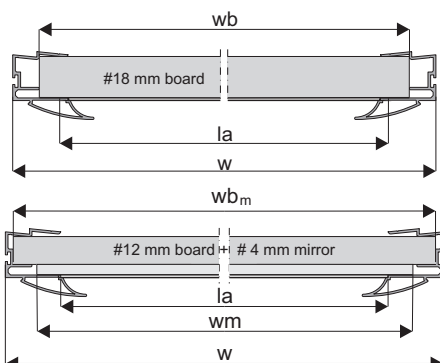
handle length = door height

**door filling** – #18 mm board, #12 mm + mirror

door height - without soft-close - with soft-close Simple MINI and Simple CENTRAL	- h	$h = H - 40 \text{ mm}$ $h = H - 45 \text{ mm}$
board height	- hb	$hb = h - 1 \text{ mm}$
door width	- w	$w = (W - 3 + Z) : N$
board width #18	- wb	$wb = w - 22 \text{ mm}$
board width #12	- wb	$wb = w - 7 \text{ mm}$
angle section length	- la	$la = w - 46.2$

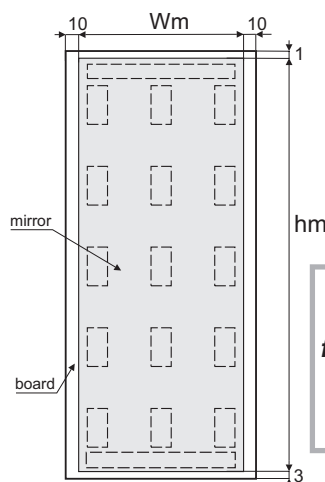
number of doors	- N	2	3
total overlap	- Z	34 mm	68 mm

visual design – 4 wings	
	$w = (W + 99) : 4$
	$w = (W : 2 + 31) : 2$



mirror dimensions

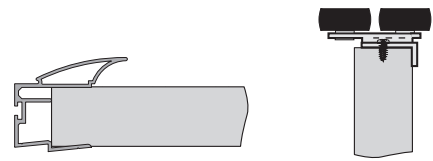
mirror height - hm = hb - 4 mm
mirror width - wm = wb <sub>m</sub> - 20 mm



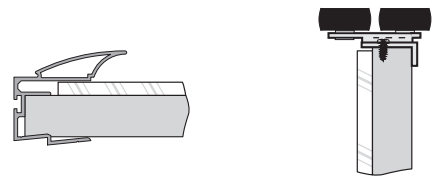
Broken line indicates recommended positioning of double-sided tape

- When fitting handle profiles, do not use assembly adhesive

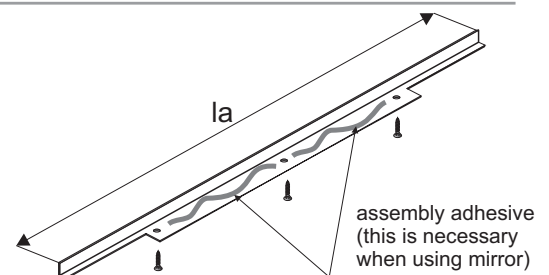
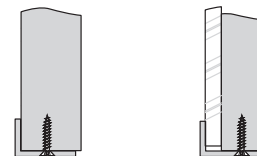
Installation method for handle and guiding carriage with #18 mm board



Installation method for handle and guiding carriage with #16 mm board or #12 mm board + #4 mm mirror



Installation method for angle section 11 mm x 17 mm

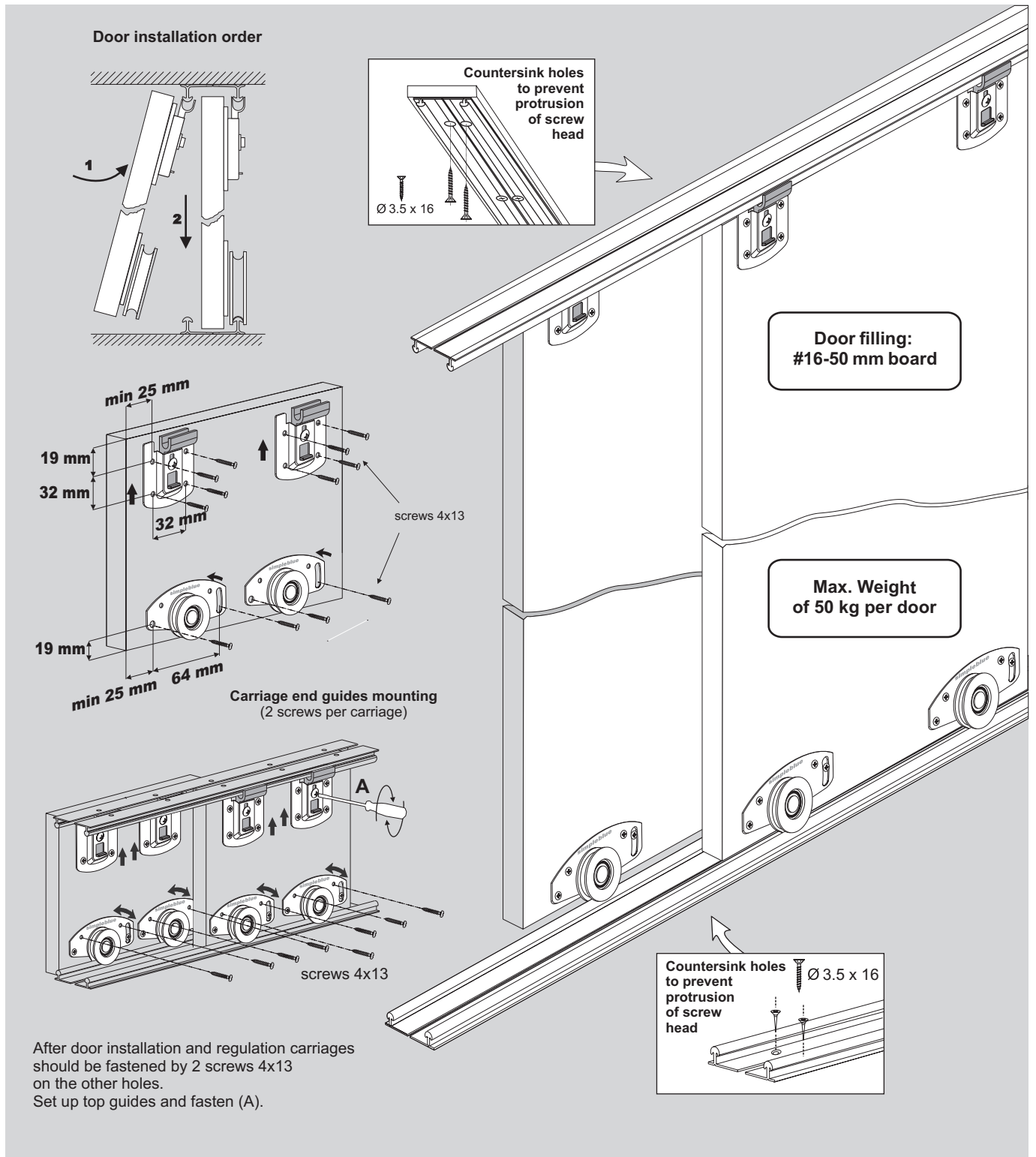


**WARNING**

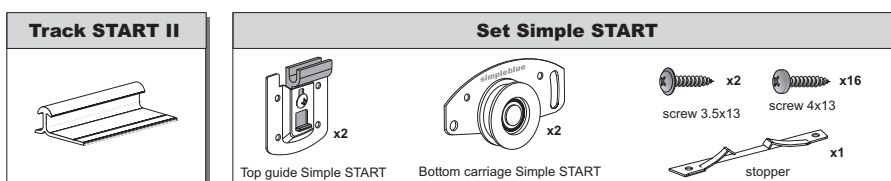
*We do not bear any responsibility for deformation resulting from the application of improper quality of boards (improper storage, improper humidity).*

**ATTENTION:**

Board to mirror contact area should be free from dirt and grease before applying double-sided tape.

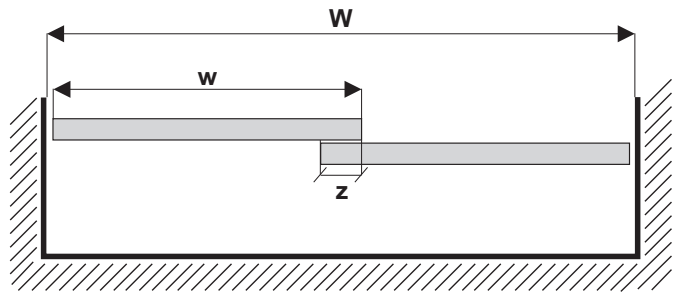
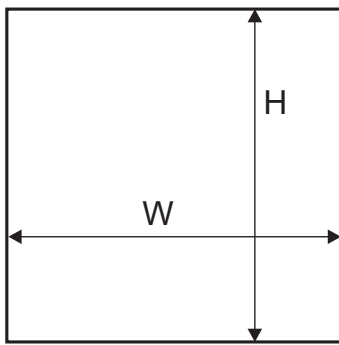


## COMPONENTS



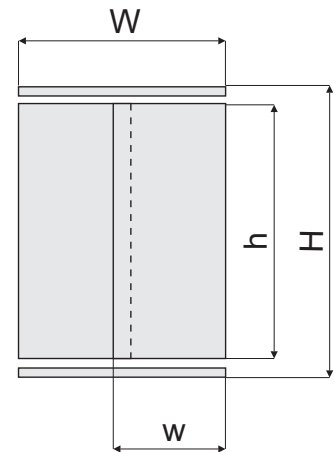
Length: 1.5 m, 2.0 m, 2.5 m, 3.0 m, 4.0 m, 6.0 m

Dimensions of opening

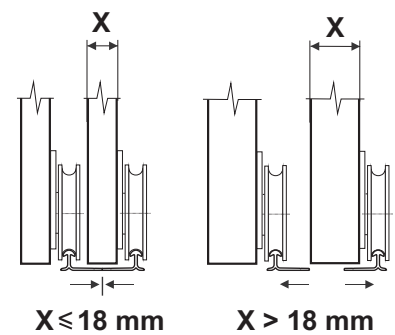


door height	- h	$h = H - 13 \text{ mm}$
door width	- w	$w = (W + Z) : N$

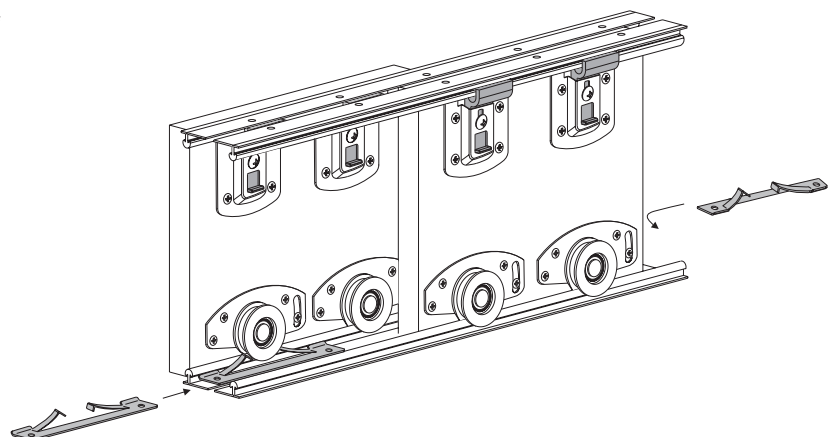
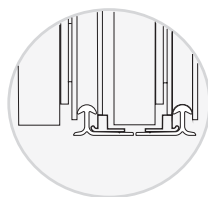
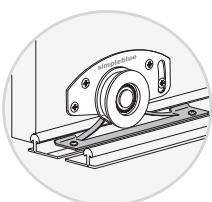
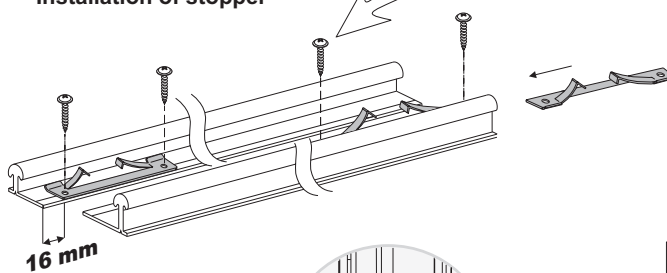
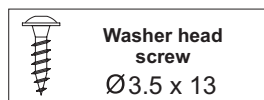
number of doors	- N	2	3
total overlap	- Z	40 mm	80 mm

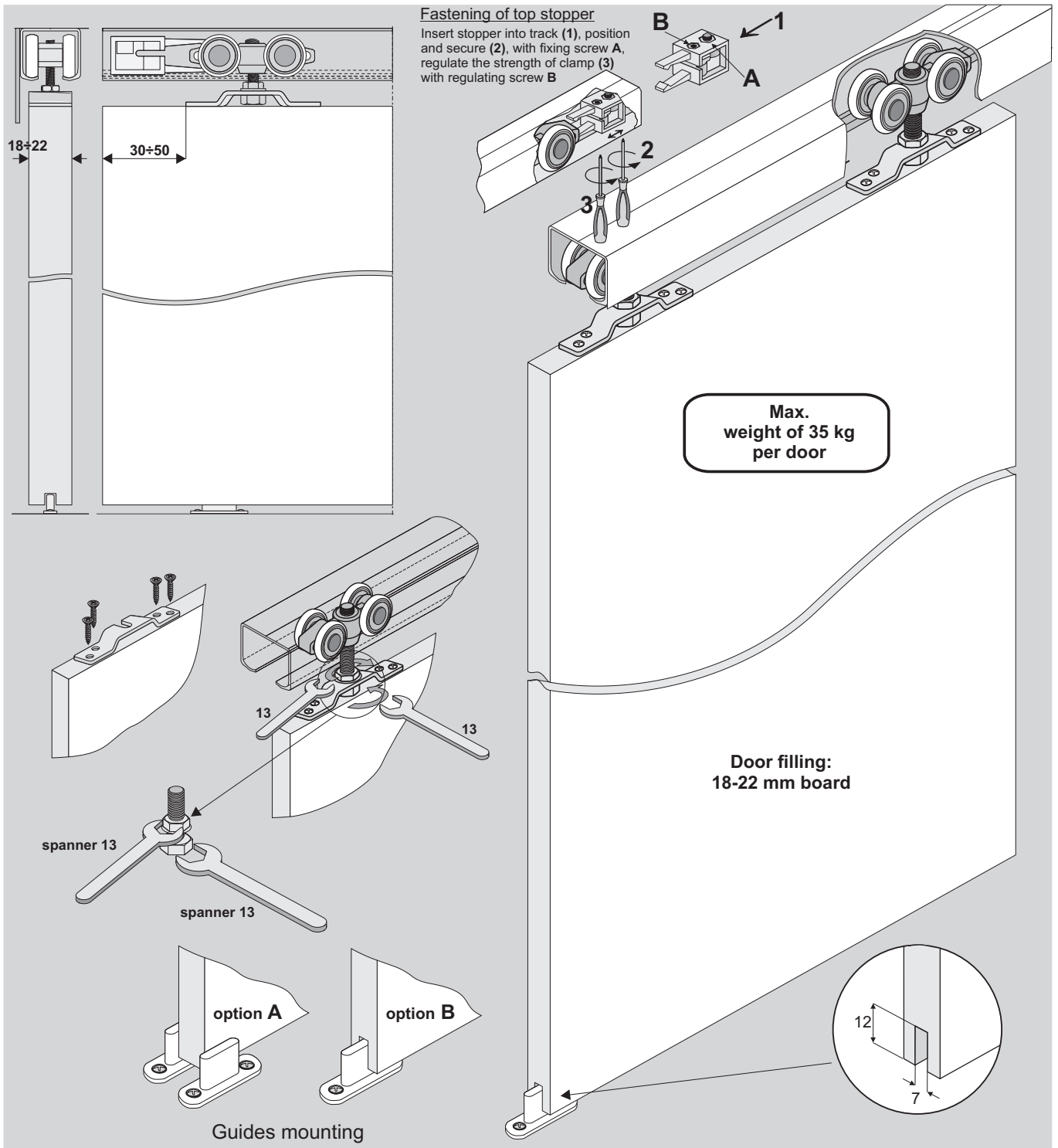


visual design - 4 wings	
	$w = (W + 120) : 4$
	$w = (W : 2 + 40) : 2$

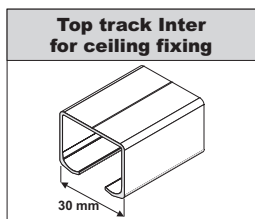


Installation of stopper

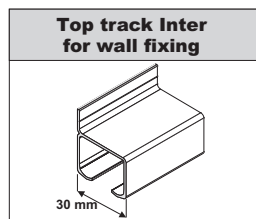




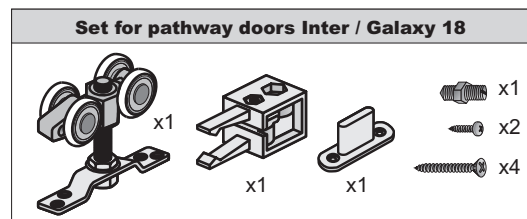
## COMPONENTS



Length: 1.5 m, 2.0 m, 2.5 m, 3.0 m, 4.0 m, 6.0 m

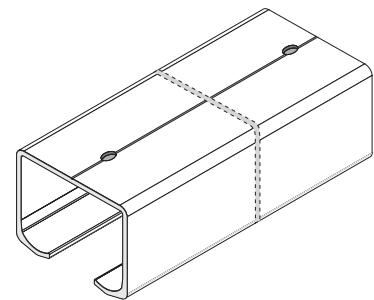
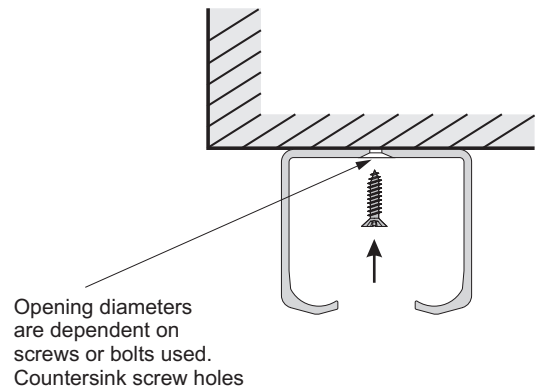
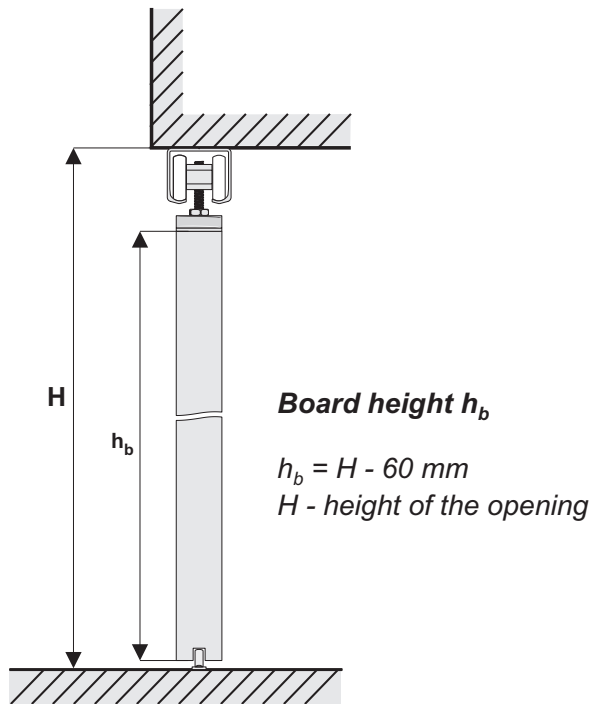


Length: 1.5 m, 2.0 m, 2.5 m, 3.0 m, 4.0 m, 6.0 m

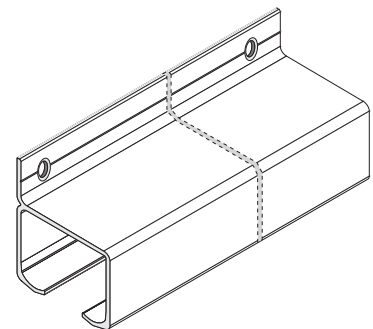
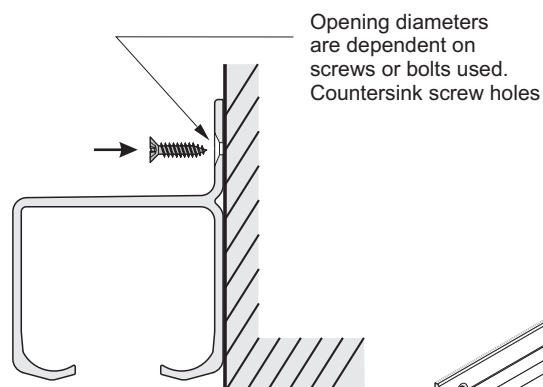
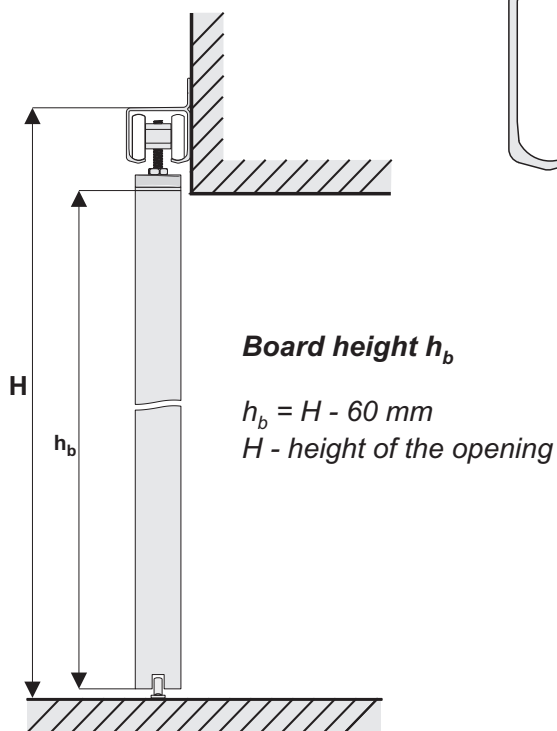




1. Track within the opening

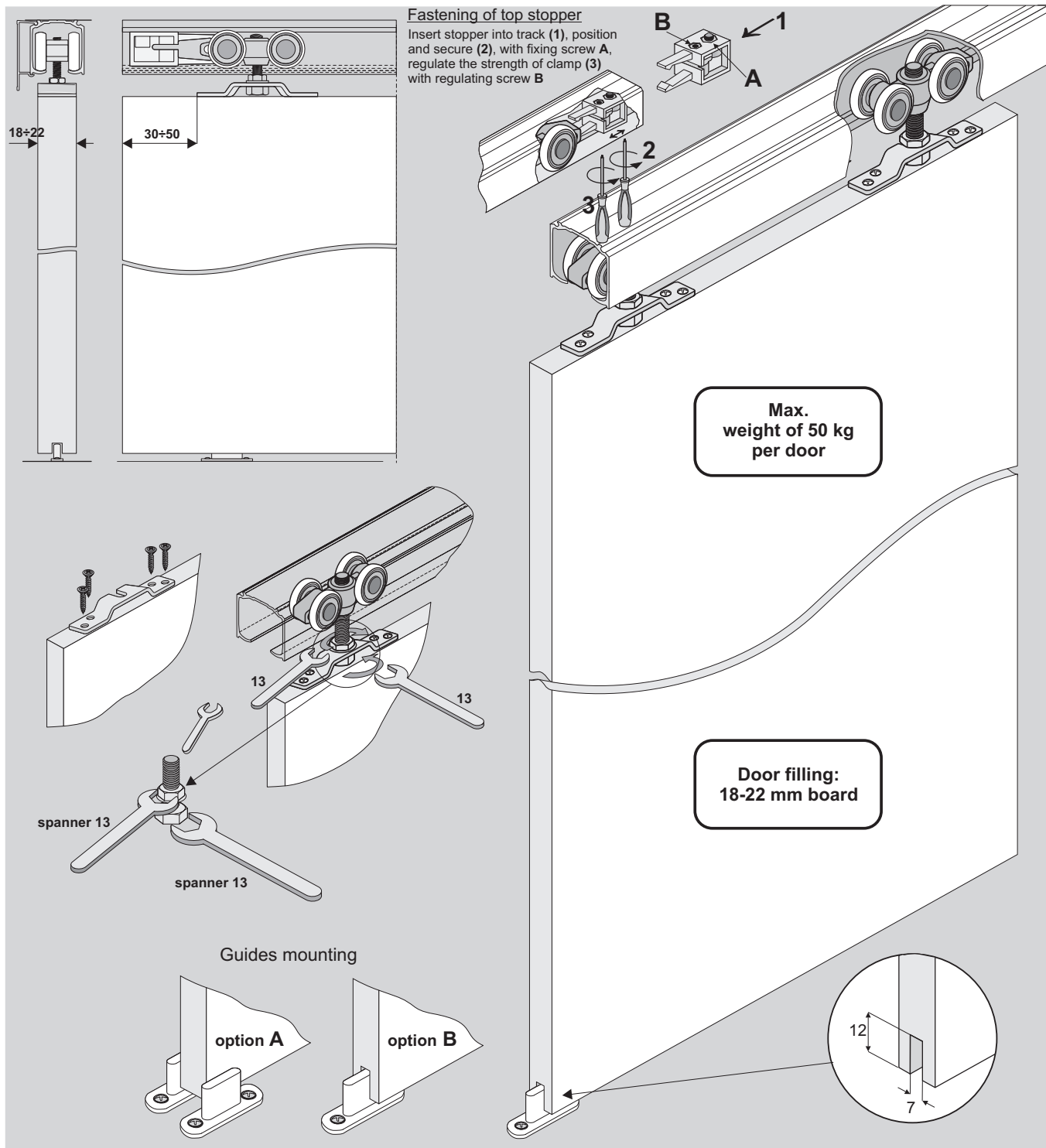


2. Track outside the opening



**ATTENTION!**

In cases that after track installation there will be no room, insert carriages before installation.



## COMPONENTS



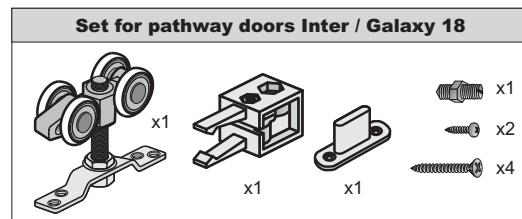
Length: 1.5 m, 2.0 m, 2.5 m, 3.0 m, 4.0 m, 6.0 m



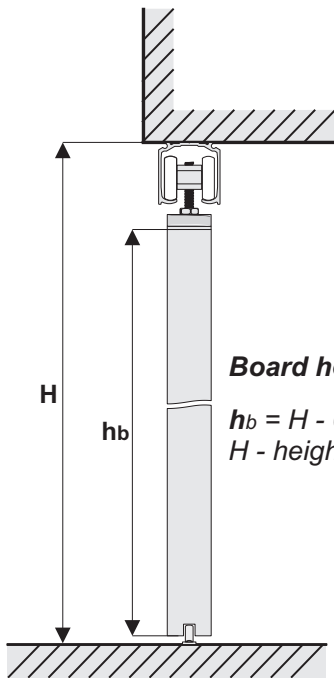
Length: 1.5 m, 2.0 m, 2.5 m, 3.0 m, 4.0 m, 6.0 m



Length: 1.5 m, 2.0 m, 2.5 m, 3.0 m, 4.0 m, 6.0 m



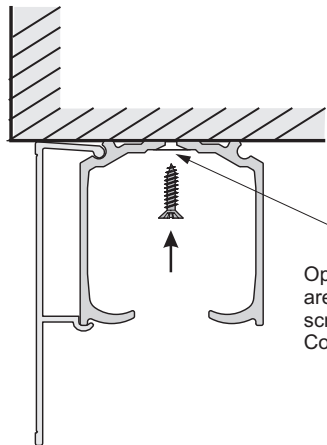
1. Track within the opening



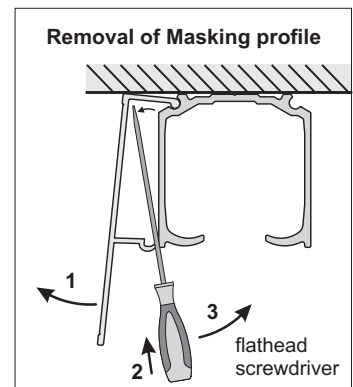
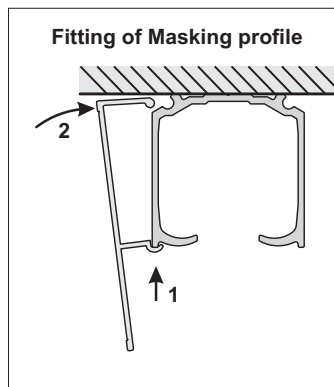
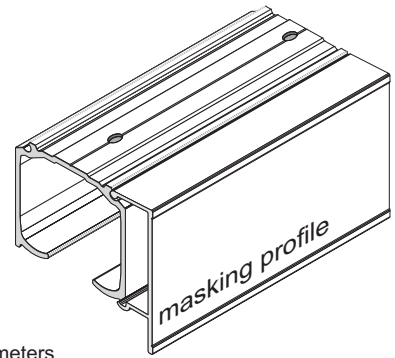
**Board height  $h_b$**

$$h_b = H - 65 \text{ mm}$$

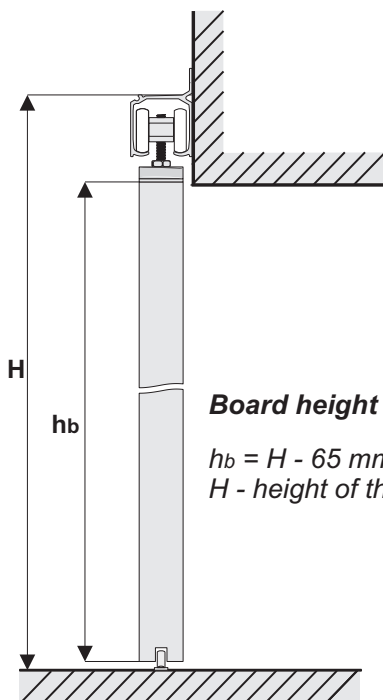
$H$  - height of the opening



Opening diameters are dependent on screws or bolts used. Countersink screw holes



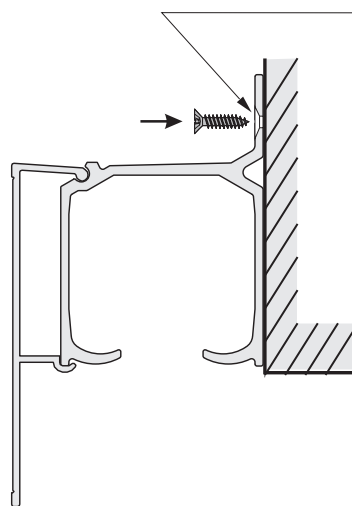
2. Track outside the opening



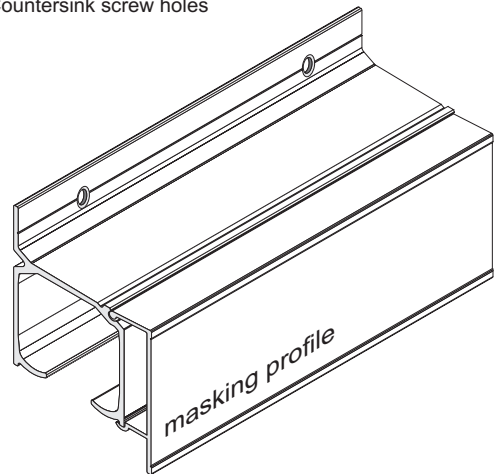
**Board height  $h_b$**

$$h_b = H - 65 \text{ mm}$$

$H$  - height of the opening



Opening diameters are dependent on screws or bolts used. Countersink screw holes



**ATTENTION!**

*In cases that after track installation there will be no room, insert carriages before installation.*